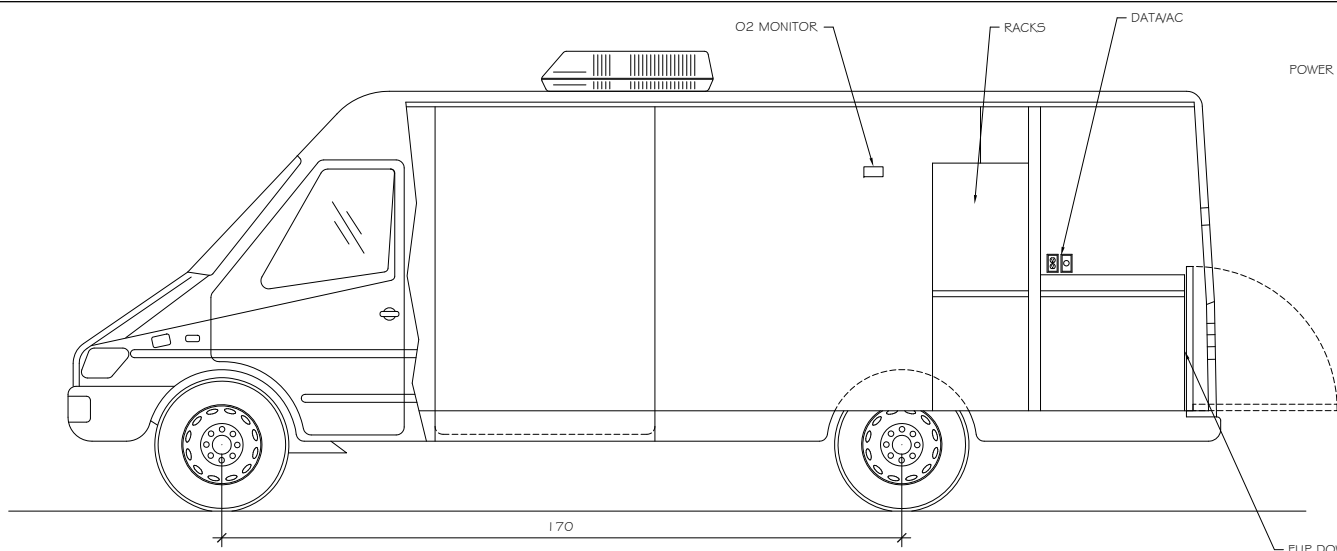
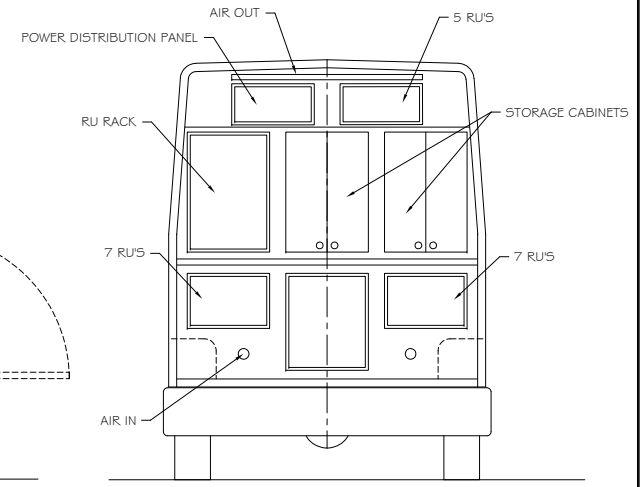


FLOOR PLAN

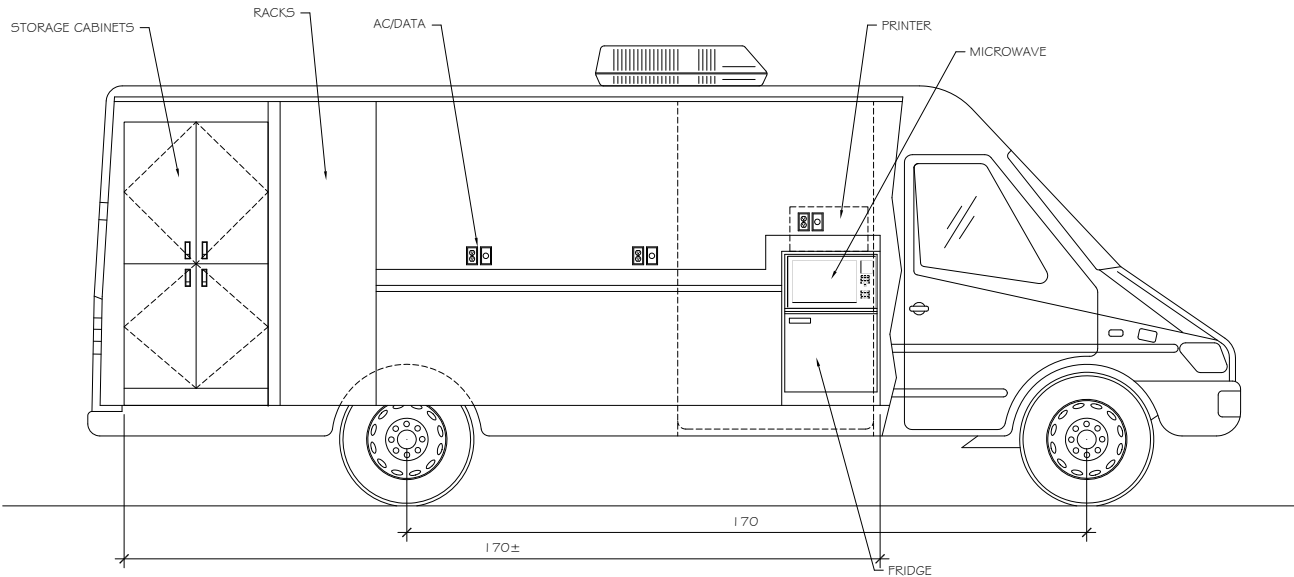
DRAWING TITLE:		DATE:	10/29/09
Sprinter Mobile Command Veh.		DRAWN BY:	BPM
CLIENT:		SCALE:	1/4"=1'-0"
		SHEET:	1 OF 4
Specialty Vehicle Solutions, LLC 1475 Prospect Street Trenton, NJ 08638		DRAWING NO.:	304-330
		REV.:	A



CURBSIDE INTERIOR ELEVATION

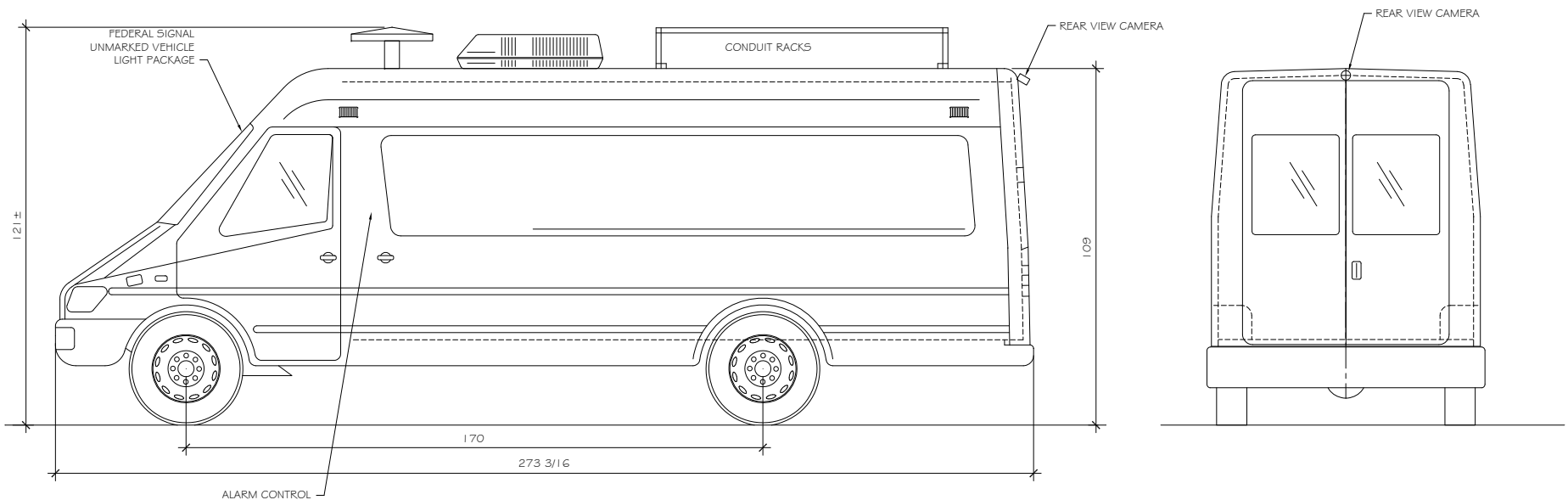


RACK LAYOUT VIEW

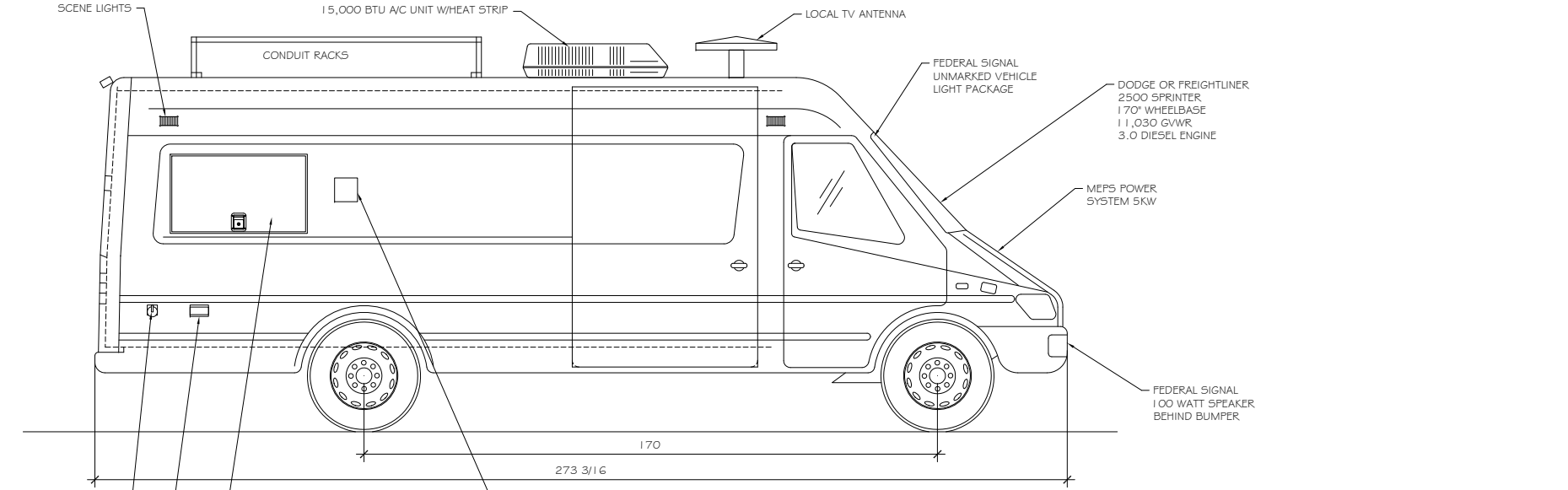


STREETSIDE INTERIOR ELEVATION

DRAWING TITLE:		DATE:	10/29/09
Sprinter Mobile Command Veh.		DRAWN BY:	BPM
CLIENT:		SCALE:	1/4"=1'-0"
		SHEET:	2 OF 4
Specialty Vehicle Solutions, LLC 1475 Prospect Street Trenton, NJ 08638		DRAWING NO.:	304-330
		REV.:	A

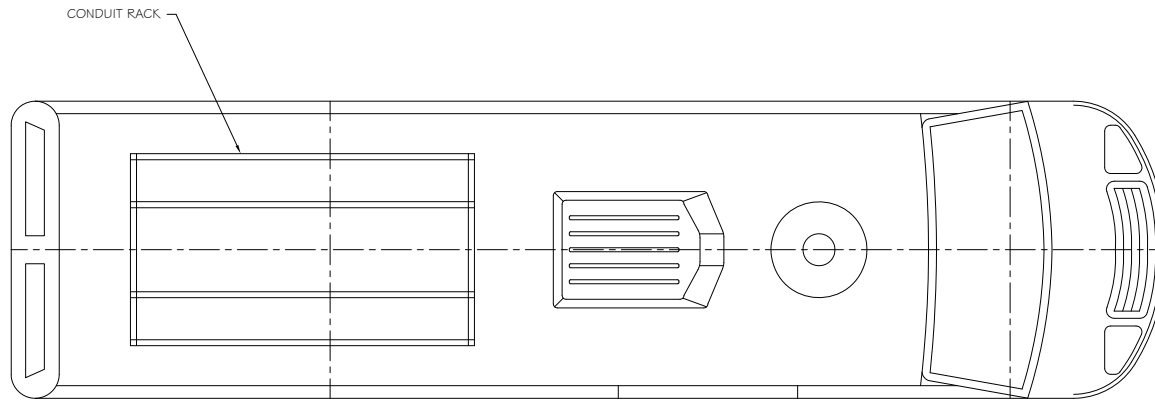


STREETSIDE EXTERIOR ELEVATION



STREETSIDE EXTERIOR ELEVATION

DRAWING TITLE: <b>Sprinter Mobile Command Veh.</b>		DATE: 10/29/09
CLIENT:		DRAWN BY: BPM
Specialty Vehicle Solutions, LLC 1475 Prospect Street Trenton, NJ 08638		SCALE: 1/4"=1'-0"
DRAWING NO. <b>304-330</b>		SHEET: 3 OF 4
REV.:		<b>A</b>



ROOF PLAN

DRAWING TITLE:		DATE:	10/29/09
Sprinter Mobile Command Veh.		DRAWN BY:	BPM
CLIENT:		SCALE:	1/4"=1'-0"
		SHEET:	4 OF 4
Specialty Vehicle Solutions, LLC 1475 Prospect Street Trenton, NJ 08638		DRAWING NO.:	304-330
		REV.:	A

