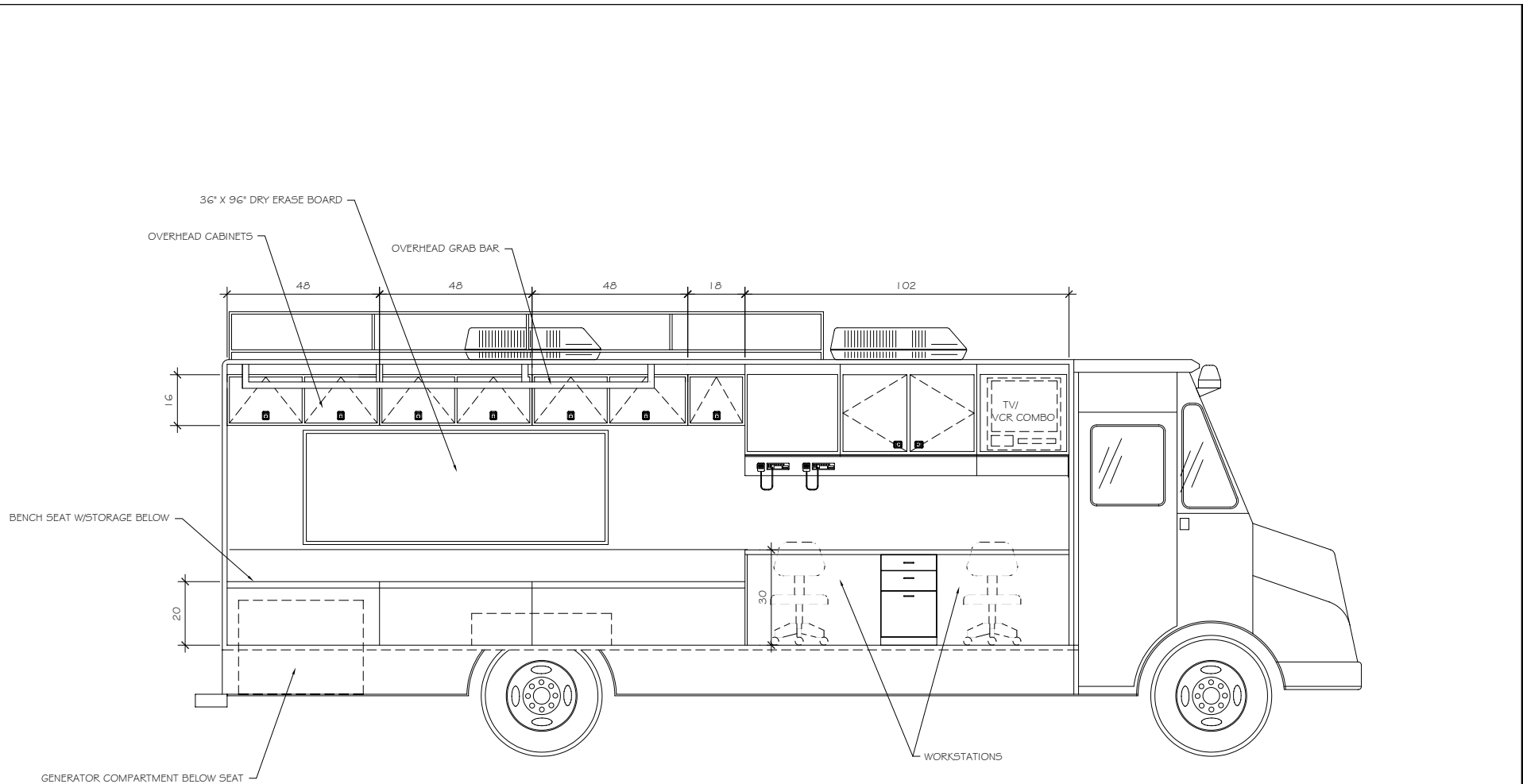


DRAWINGS ARE CONCEPTUAL DRAWINGS ONLY AND ARE NOT TO BE USED FOR CONSTRUCTION PURPOSES.

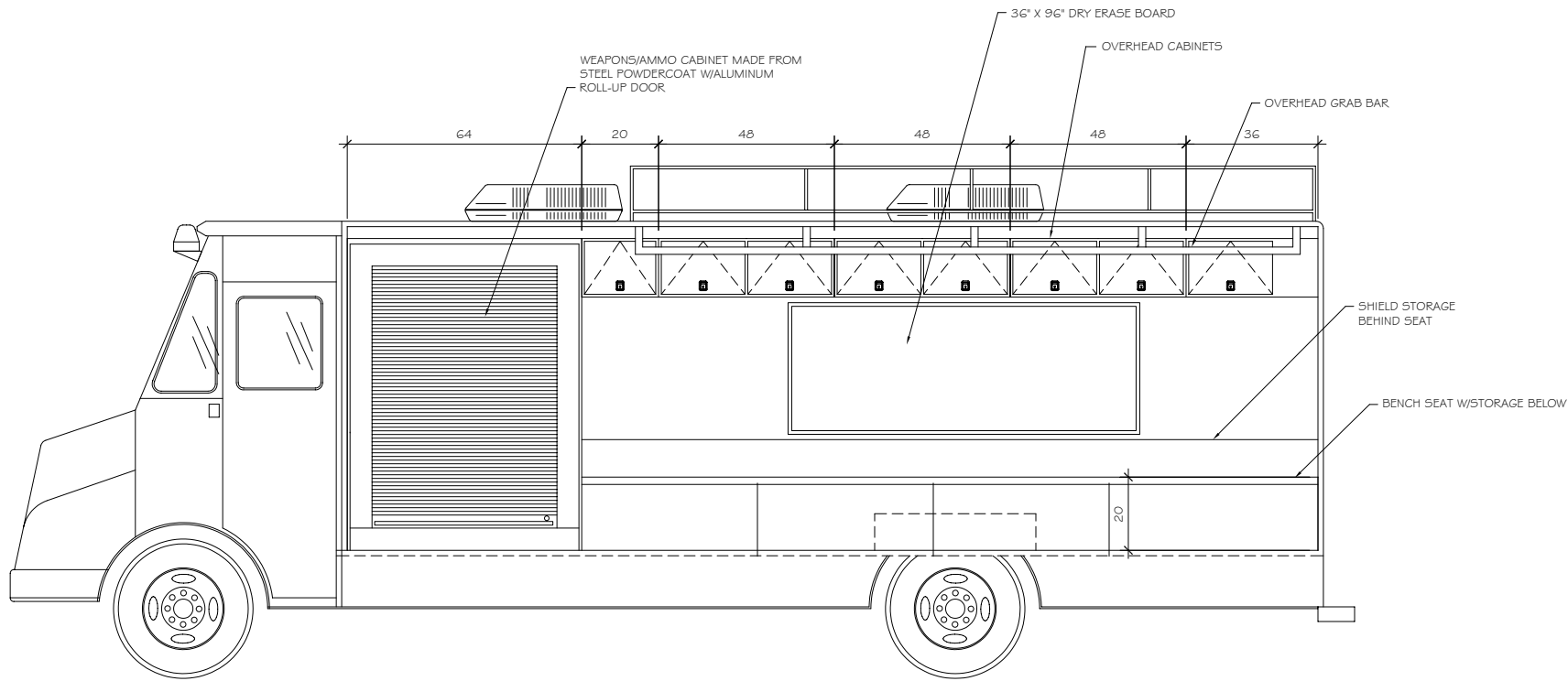
DRAWING TITLE: SWAT VEHICLE - 22'		DATE: 10/26/06
DRAWN BY: BPM		SCALE: 1/4"=1'-0"
CLIENT:		SHEET: 1 OF 6
Specialty Vehicle Solutions, LLC 47 Virginia Avenue Trenton, NJ 08611		DRAWING NO.: 304-155 REV: A



STREET SIDE INTERIOR ELEVATION

DRAWINGS ARE CONCEPTUAL DRAWINGS ONLY AND ARE NOT TO BE USED FOR CONSTRUCTION PURPOSES.

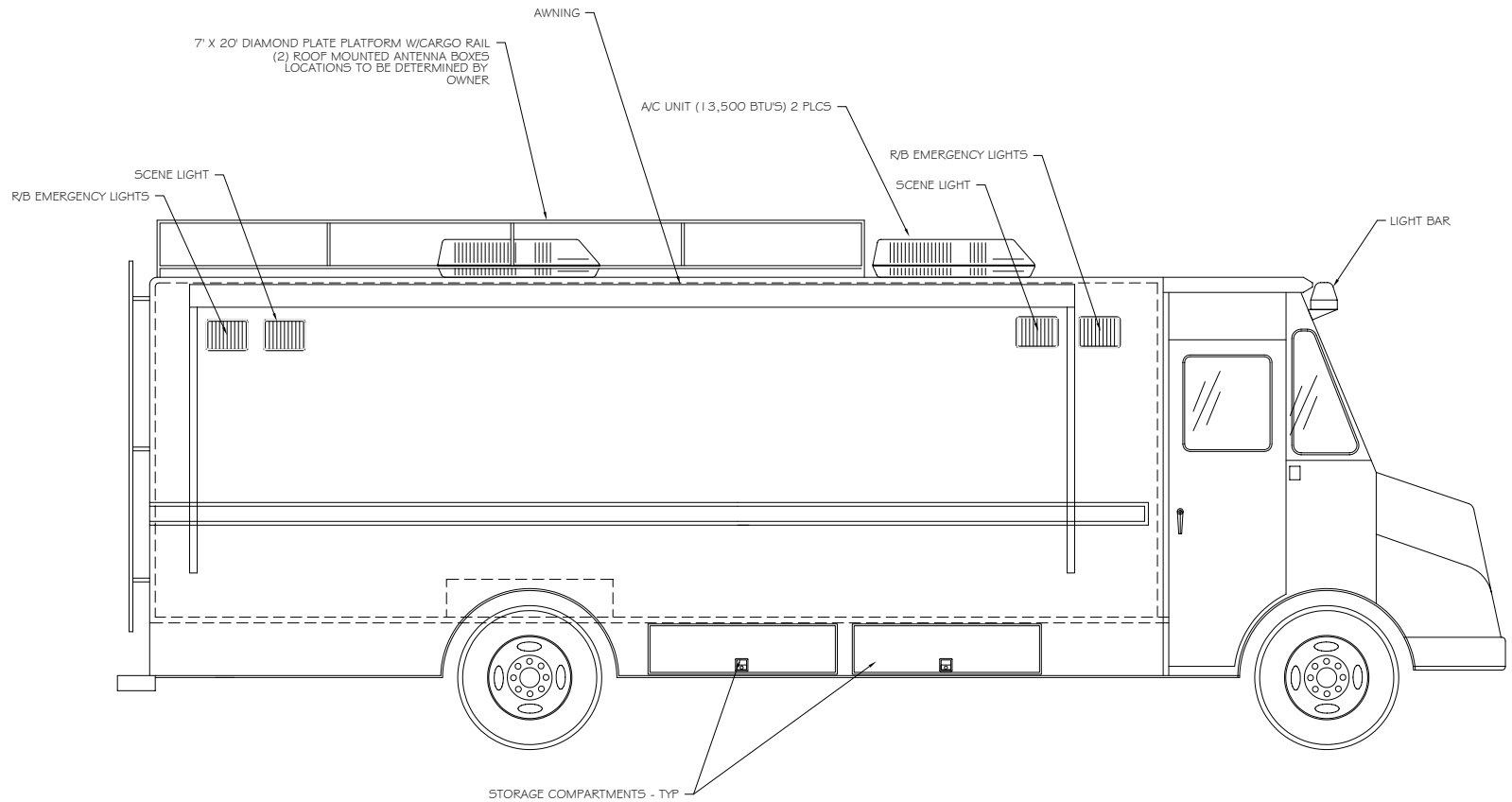
DRAWING TITLE: SWAT VEHICLE - 22'		DATE: 10/26/06
CLIENT:		DRAWN BY: BPM
Specialty Vehicle Solutions, LLC 47 Virginia Avenue Trenton, NJ 08611		SCALE: 1/4"=1'-0"
DRAWING NO. 304-155		SHEET: 2 OF 6
REV:		A



CURB SIDE INTERIOR ELEVATION

DRAWINGS ARE CONCEPTUAL DRAWINGS ONLY AND ARE NOT TO BE USED FOR CONSTRUCTION PURPOSES.

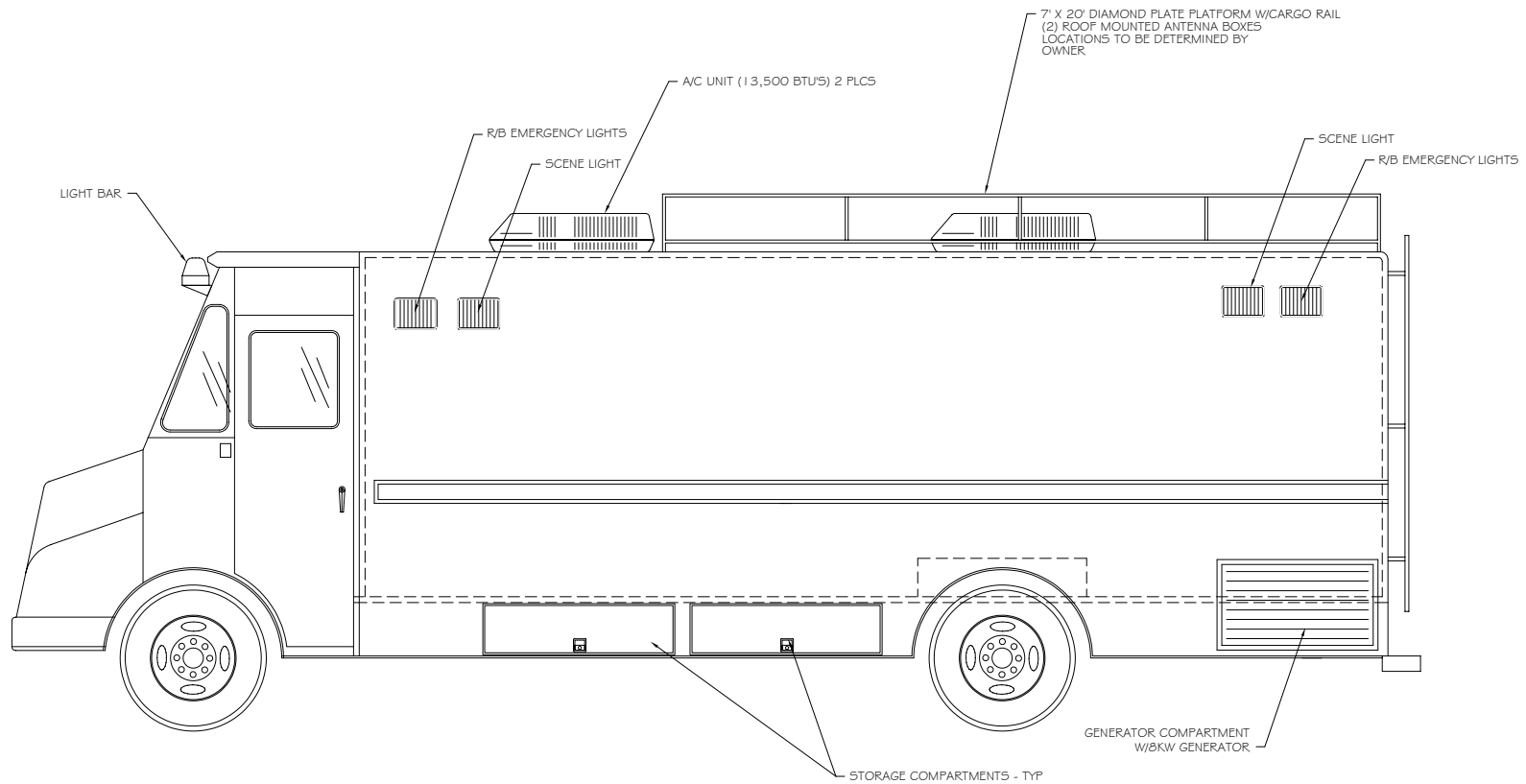
DRAWING TITLE: SWAT VEHICLE - 22'		DATE: 10/26/06
CLIENT:		DRAWN BY: BPM
Specialty Vehicle Solutions, LLC 47 Virginia Avenue Trenton, NJ 08611		SCALE: 1/4"=1'-0"
DRAWING NO. 304-155		SHEET: 3 OF 6
REV: A		



CURB SIDE EXTERIOR ELEVATION

DRAWINGS ARE CONCEPTUAL DRAWINGS ONLY AND ARE NOT TO BE USED FOR CONSTRUCTION PURPOSES.

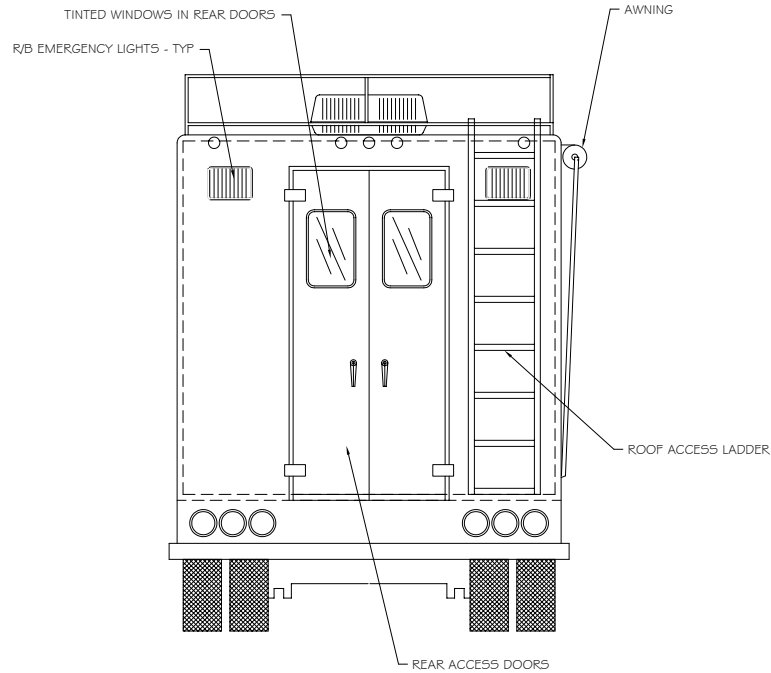
DRAWING TITLE: SWAT VEHICLE - 22'		DATE: 10/26/06
CLIENT:		DRAWN BY: BPM
Specialty Vehicle Solutions, LLC 47 Virginia Avenue Trenton, NJ 08611		SCALE: 1/4"=1'-0"
DRAWING NO. 304-155		SHEET: 4 OF 6
REV:		A



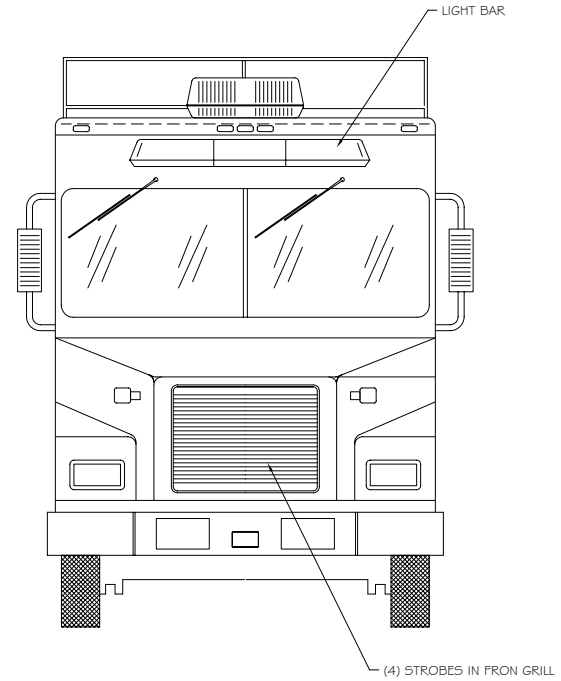
STREET SIDE EXTERIOR ELEVATION

DRAWINGS ARE CONCEPTUAL DRAWINGS ONLY AND ARE NOT TO BE USED FOR CONSTRUCTION PURPOSES.

DRAWING TITLE: SWAT VEHICLE - 22'		DATE: 10/26/06
CLIENT:		DRAWN BY: BPM
Specialty Vehicle Solutions, LLC 47 Virginia Avenue Trenton, NJ 08611		SCALE: 1/4"=1'-0"
DRAWING NO. 304-155		SHEET: 5 OF 6
REV: A		



REAR ELEVATION



FRONT ELEVATION

DRAWINGS ARE CONCEPTUAL DRAWINGS ONLY AND ARE NOT TO BE USED FOR CONSTRUCTION PURPOSES.

DRAWING TITLE: SWAT VEHICLE - 22'		DATE: 10/26/06
CLIENT:		DRAWN BY: BPM
Specialty Vehicle Solutions, LLC 47 Virginia Avenue Trenton, NJ 08611		SCALE: 1/4"=1'-0"
DRAWING NO. 304-155		SHEET: 6 OF 6
		REV: A