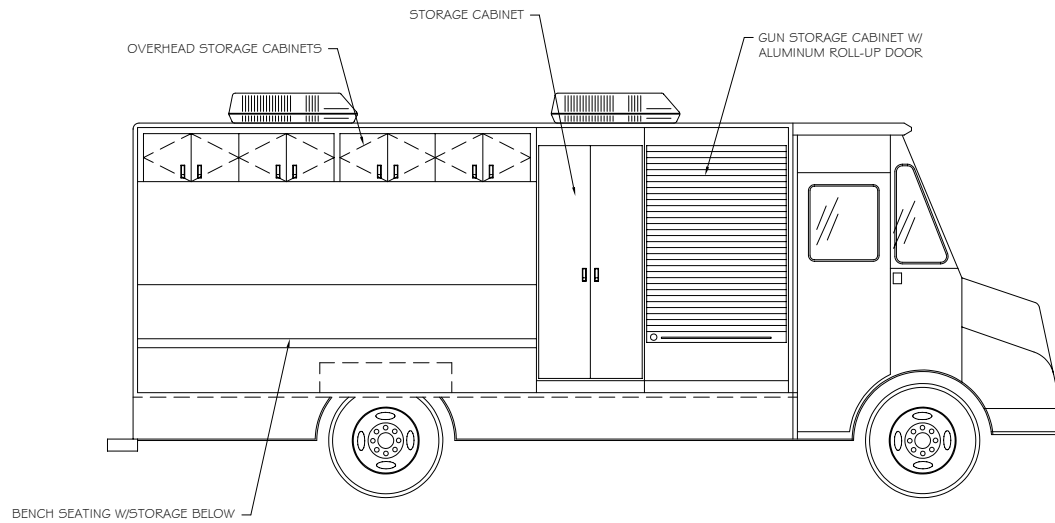


FLOOR PLAN

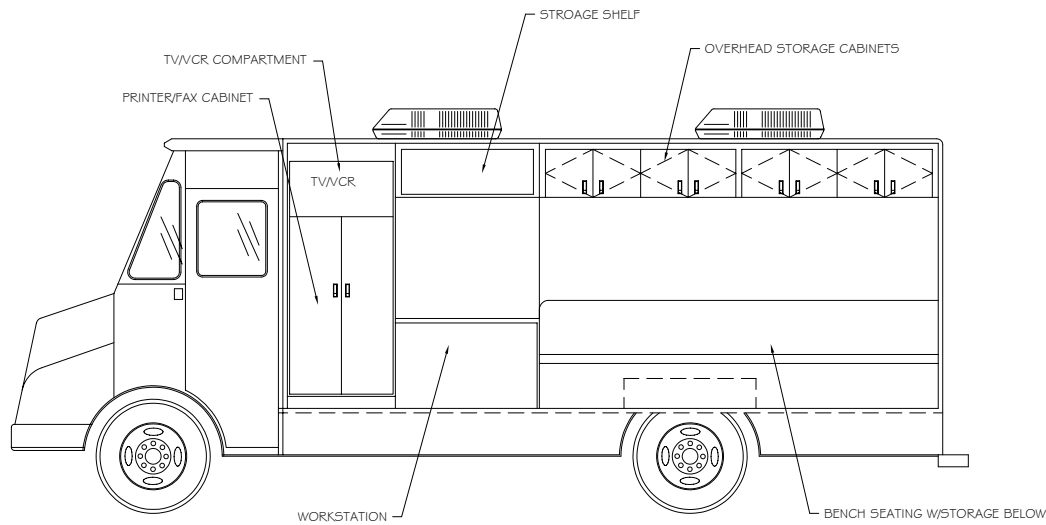
- NOTES:
1. PHONE SYSTEM TO INCLUDE 2 LAND LINES, 2 CELLULAR LINES AND 1 EXTENSION PHONE BOX
 2. VEHICLE TO BE PRE-WIRED FOR 4 RADIOS - LOCATIONS TO BE DETERMINED

DRAWINGS ARE CONCEPTUAL DRAWINGS ONLY AND ARE NOT TO BE USED FOR CONSTRUCTION PURPOSES.

DRAWING TITLE: SWAT VEHICLE - 18 FT		DATE: 1/19/04
CLIENT:		DRAWN BY: BPMENZEL
Specialty Vehicle Solutions, LLC 3764 Route 27 Princeton, NJ 08540		SCALE: 3/16"=1'-0"
DRAWING NO. 304-002		SHEET: 1 OF 3
REV:		A



STREET SIDE INTERIOR ELEVATION

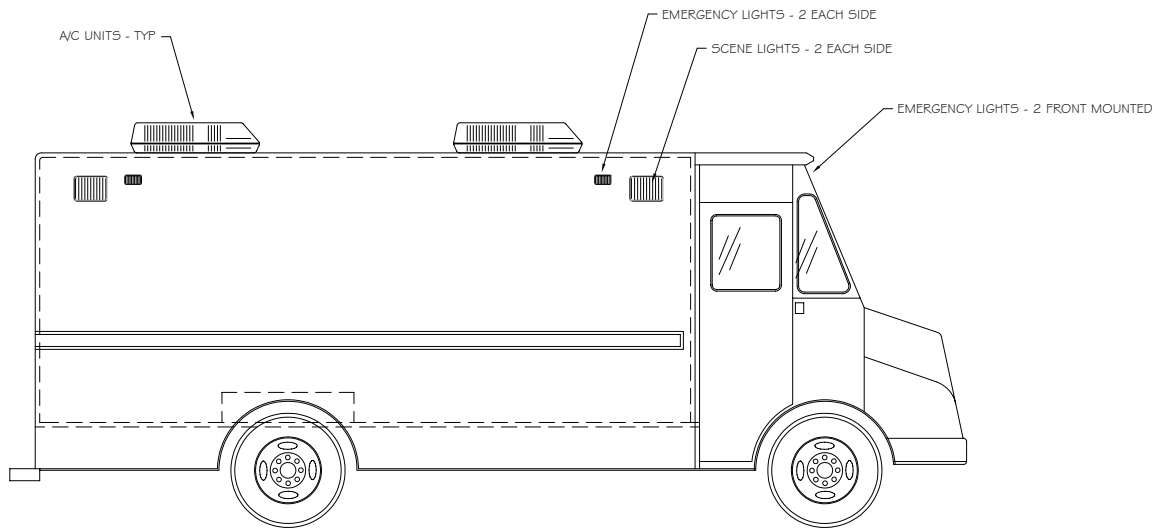


CURB SIDE INTERIOR ELEVATION

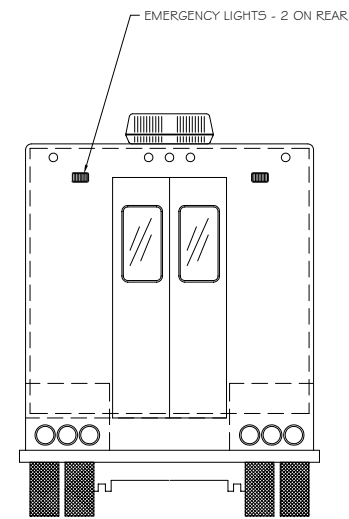
- NOTES:
1. PHONE SYSTEM TO INCLUDE 2 LAND LINES, 2 CELLULAR LINES AND 1 EXTENSION PHONE BOX
 2. VEHICLE TO BE PRE-WIRED FOR 4 RADIOS - LOCATIONS TO BE DETERMINED

DRAWINGS ARE CONCEPTUAL DRAWINGS ONLY AND ARE NOT TO BE USED FOR CONSTRUCTION PURPOSES.

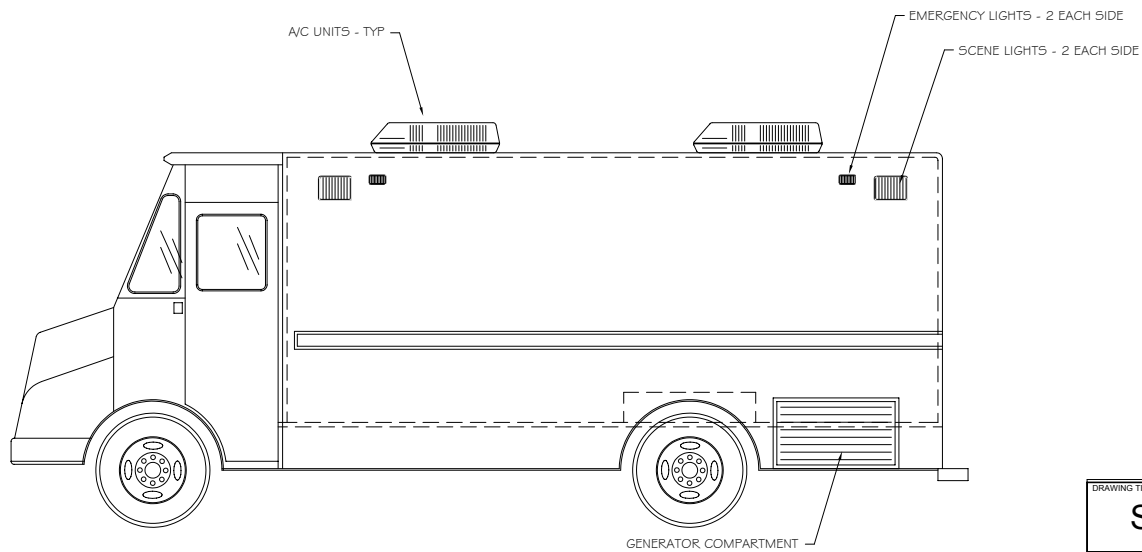
DRAWING TITLE: SWAT VEHICLE - 18 FT		DATE: 1/19/04
CLIENT:		DRAWN BY: BPMENZEL
Specialty Vehicle Solutions, LLC 3764 Route 27 Princeton, NJ 08540		SCALE: 3/16"=1'-0"
DRAWING NO. 304-002		SHEET: 2 OF 3
		REV: A



CURB SIDE EXTERIOR ELEVATION



REAR ELEVATION



STREET SIDE EXTERIOR ELEVATION

DRAWINGS ARE CONCEPTUAL DRAWINGS ONLY AND ARE NOT TO BE USED FOR CONSTRUCTION PURPOSES.

DRAWING TITLE: SWAT VEHICLE - 18 FT		DATE: 1/19/04
CLIENT:		DRAWN BY: BPMENZEL
Specialty Vehicle Solutions, LLC 3764 Route 27 Princeton, NJ 08540		SCALE: 3/16"=1'-0"
DRAWING NO. 304-002		SHEET: 3 OF 3
REV: A		