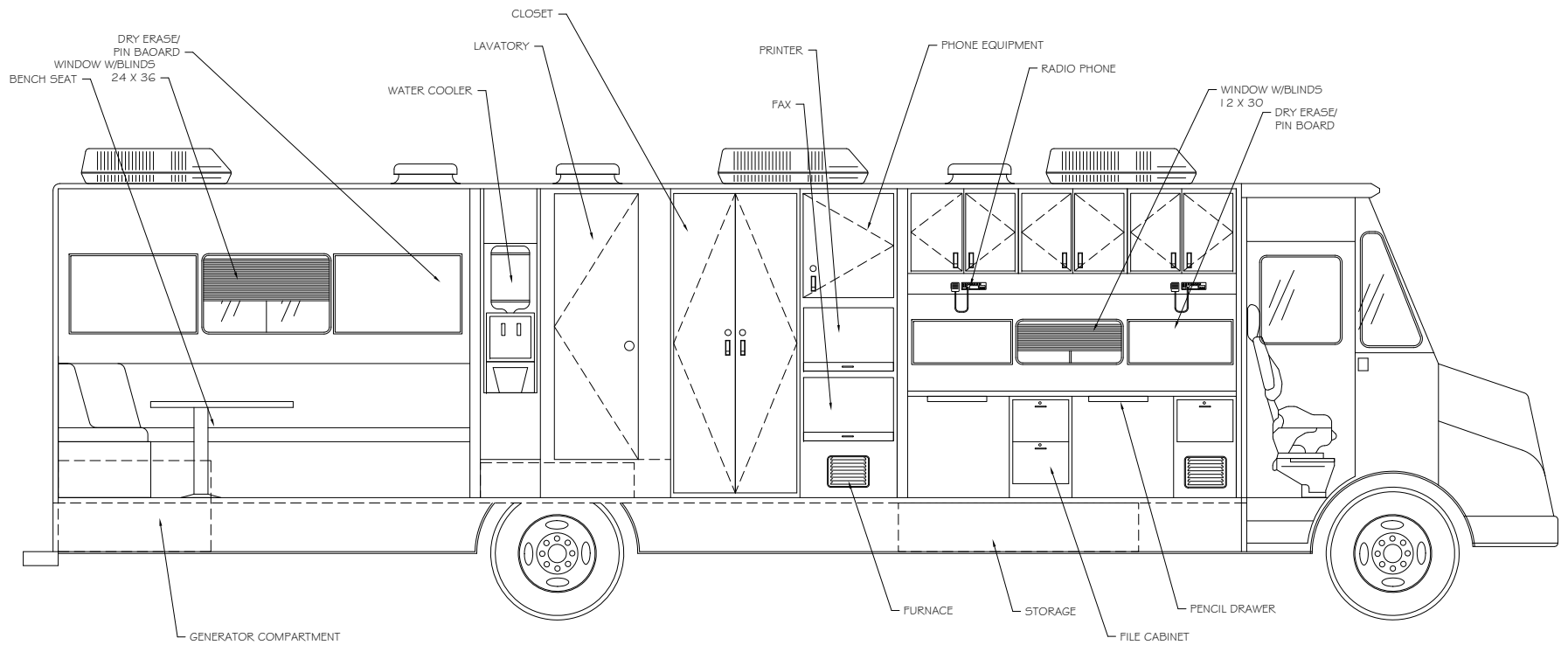


FLOOR PLAN

NOTE: DRAWINGS ARE CONCEPTUAL DRAWINGS ONLY AND ARE NOT TO BE USED FOR CONSTRUCTION PURPOSES.

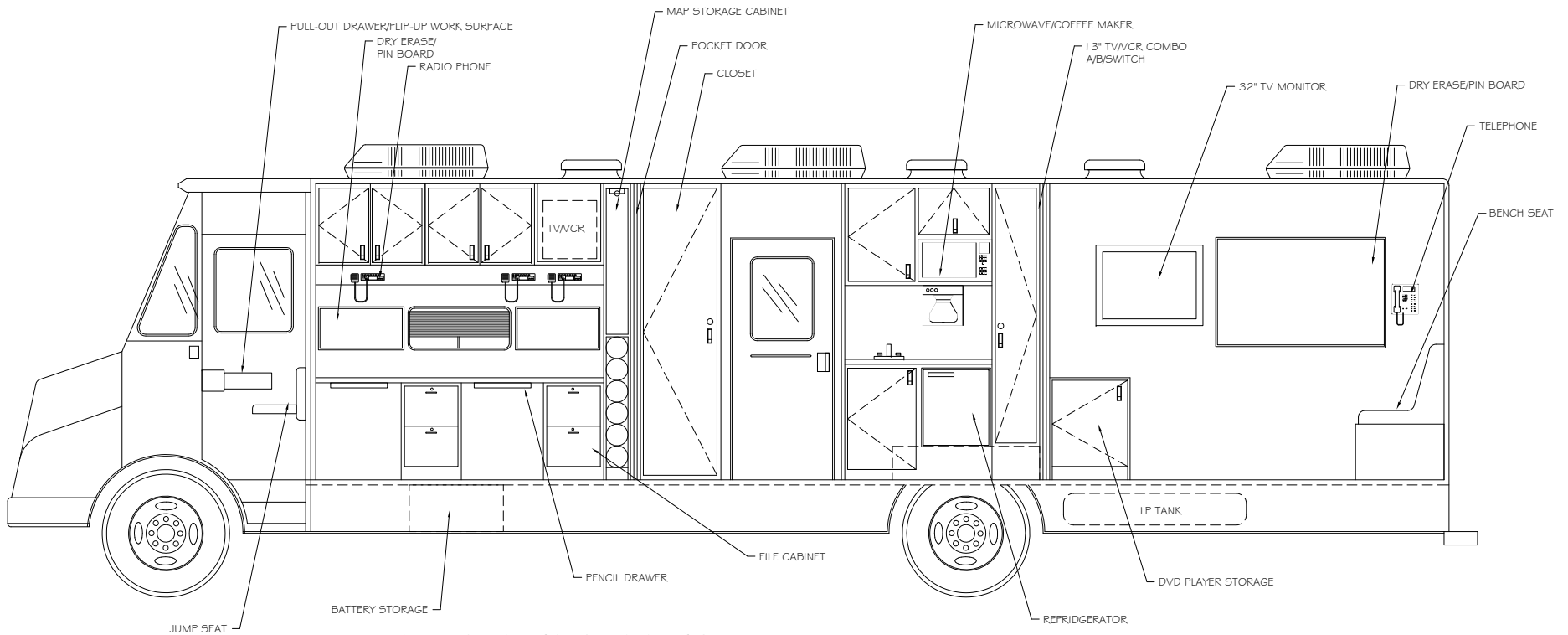
DRAWING TITLE: 28' COMMAND VEHICLE		DATE: 4/1/10
CLIENT:		DRAWN BY:
Specialty Vehicle Solutions, LLC 1475 Prospect Street Trenton, NJ 08638		SCALE: 1/4"=1'-0"
DRAWING NO: 304-028		SHEET: 1 OF 7
		REV: A



STREET SIDE INTERIOR ELEVATION

NOTE: DRAWINGS ARE CONCEPTUAL DRAWINGS ONLY AND ARE NOT TO BE USED FOR CONSTRUCTION PURPOSES.

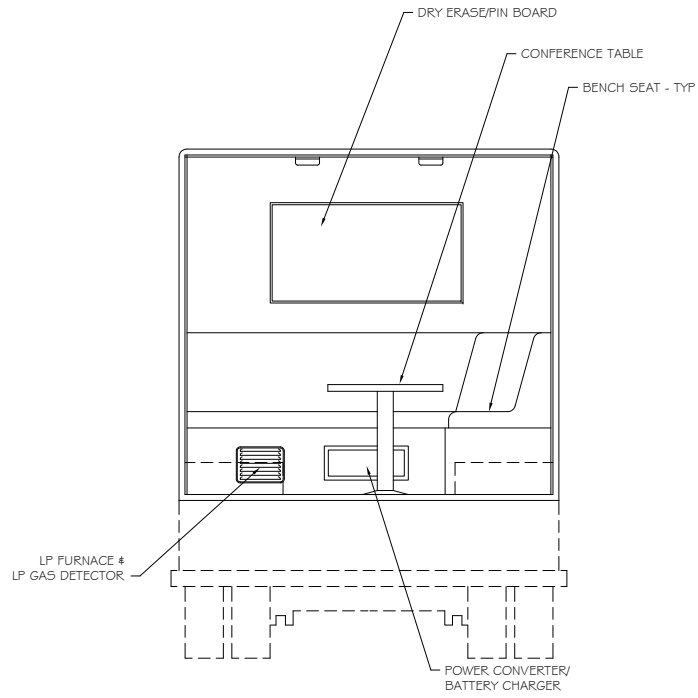
DRAWING TITLE: 28' COMMAND VEHICLE		DATE: 4/1/10
CLIENT:		DRAWN BY:
Specialty Vehicle Solutions, LLC 1475 Prospect Street Trenton, NJ 08638		SCALE: 1/4"=1'-0"
DRAWING NO. 304-028		SHEET: 2 OF 7
REV:		A



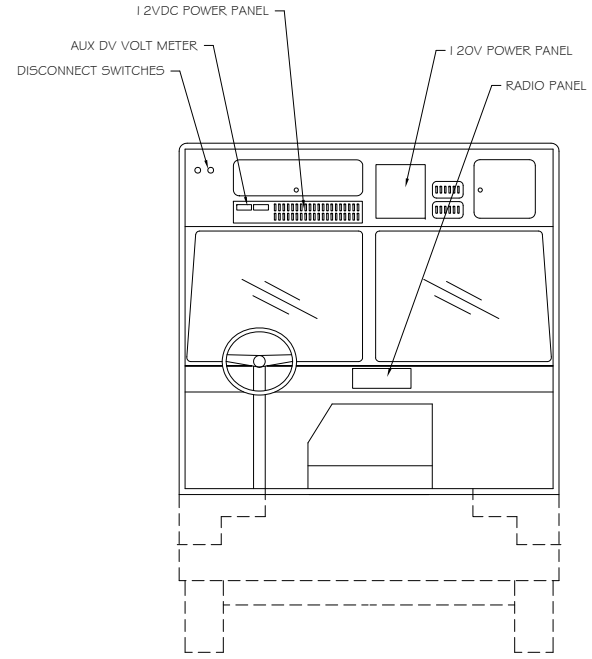
CURB SIDE INTERIOR ELEVATION

NOTE: DRAWINGS ARE CONCEPTUAL DRAWINGS ONLY AND ARE NOT TO BE USED FOR CONSTRUCTION PURPOSES.

DRAWING TITLE: 28' COMMAND VEHICLE		DATE: 4/1/10
CLIENT:		DRAWN BY:
Specialty Vehicle Solutions, LLC 1475 Prospect Street Trenton, NJ 08638		SCALE: 1/4"=1'-0"
DRAWING NO. 304-028		SHEET: 3 OF 7
REV:		A



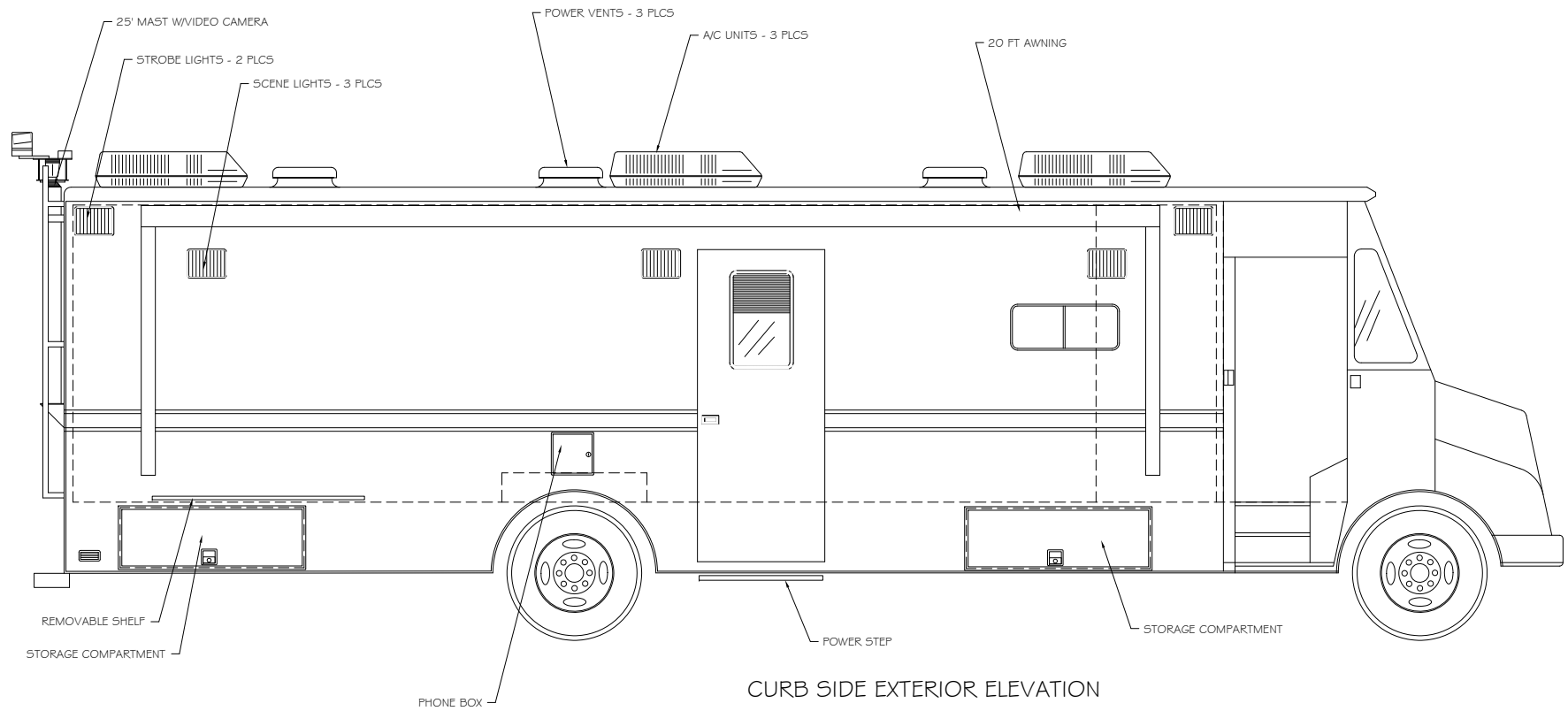
AFT INTERIOR ELEVATION



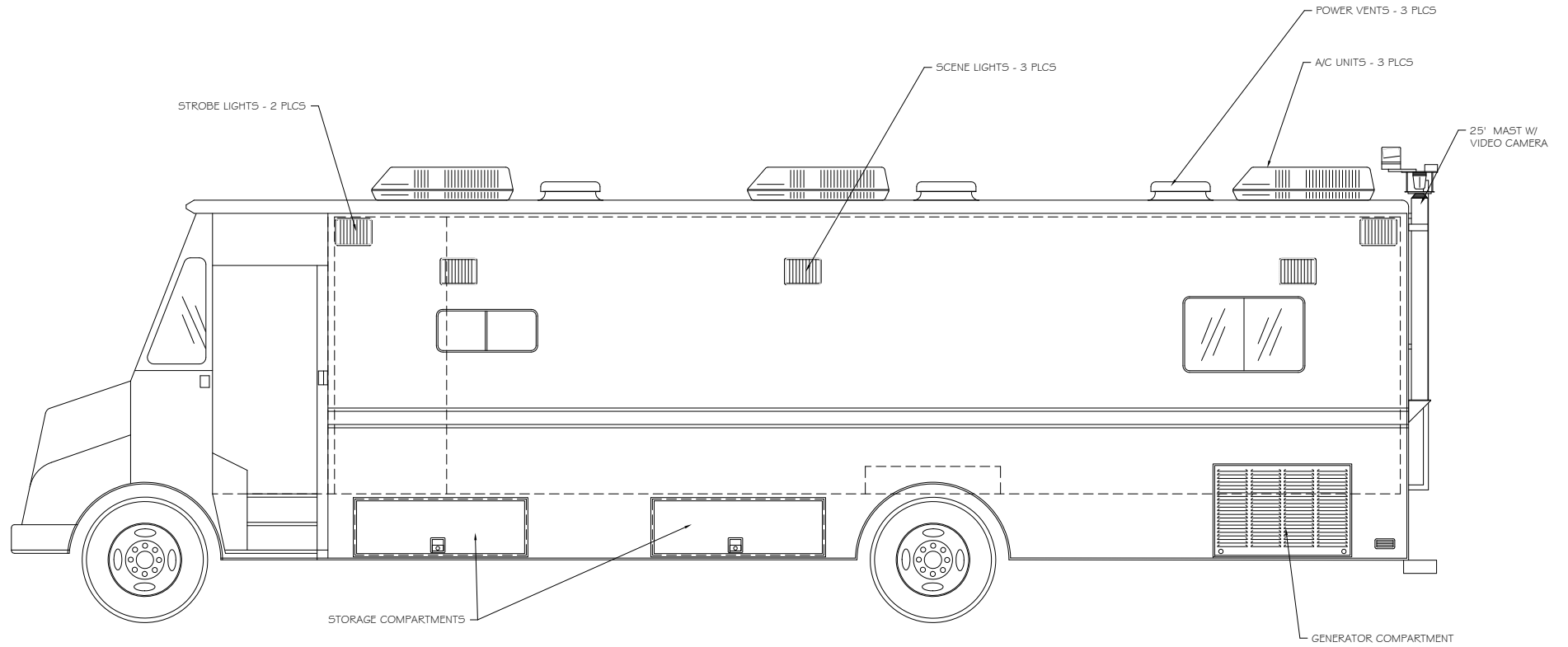
FORWARD INTERIOR ELEVATION

NOTE: DRAWINGS ARE CONCEPTUAL DRAWINGS ONLY AND ARE NOT TO BE USED FOR CONSTRUCTION PURPOSES.

DRAWING TITLE: 28' COMMAND VEHICLE		DATE: 4/1/10
CLIENT:		DRAWN BY:
Specialty Vehicle Solutions, LLC 1475 Prospect Street Trenton, NJ 08638		SCALE: 1/4"=1'-0"
DRAWING NO. 304-028		SHEET: 4 OF 7
REV: A		

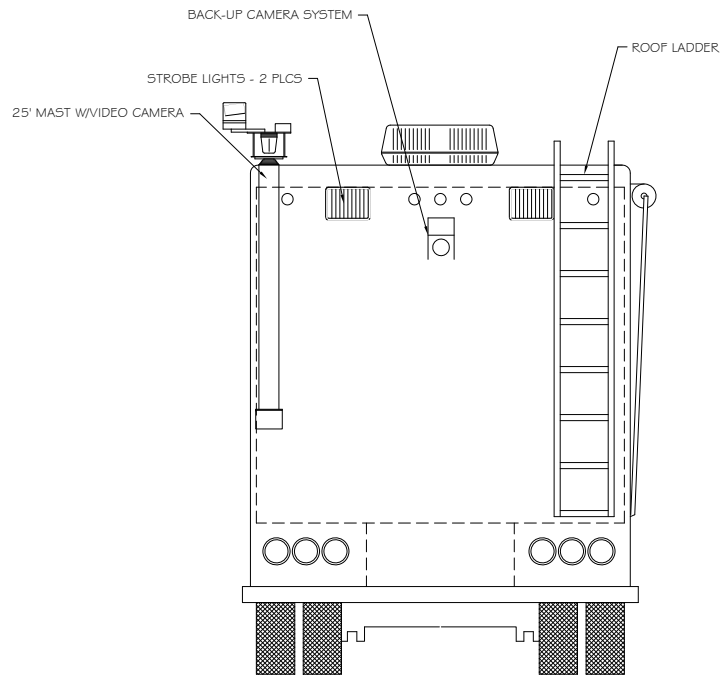


DRAWING TITLE: 28' COMMAND VEHICLE		DATE: 4/1/10
CLIENT:		DRAWN BY:
Specialty Vehicle Solutions, LLC 1475 Prospect Street Trenton, NJ 08638		SCALE: 1/4"=1'-0"
DRAWING NO. 304-028		SHEET: 5 OF 7
REV:		A

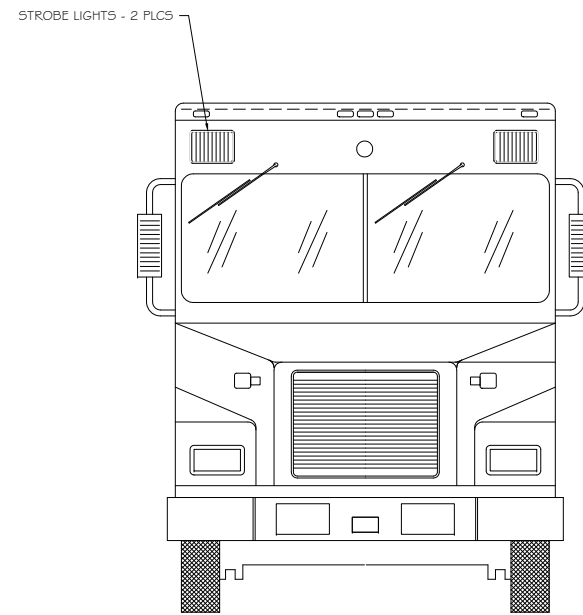


STREET SIDE EXTERIOR ELEVATION

DRAWING TITLE: 28' COMMAND VEHICLE		DATE: 4/1/10
CLIENT:		DRAWN BY:
Specialty Vehicle Solutions, LLC 1475 Prospect Street Trenton, NJ 08638		SCALE: 1/4"=1'-0"
DRAWING NO. 304-028		SHEET: 6 OF 7
REV:		A



REAR ELEVATION



FRONT ELEVATION

DRAWING TITLE: 28' COMMAND VEHICLE		DATE: 4/1/10
CLIENT:		DRAWN BY:
Specialty Vehicle Solutions, LLC 1475 Prospect Street Trenton, NJ 08638		SCALE: 1/4"=1'-0"
DRAWING NO. 304-028		SHEET: 7 OF 7
REV:		A