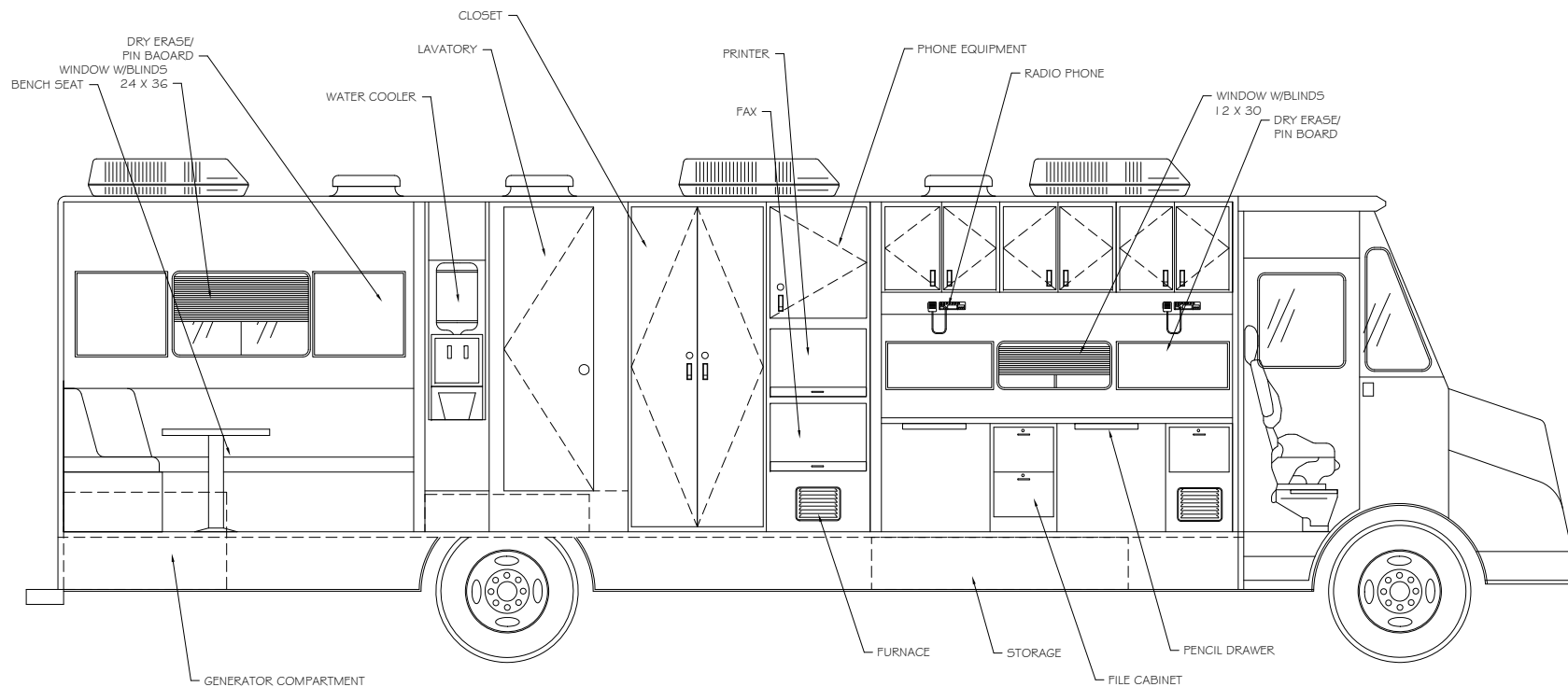


FLOOR PLAN

NOTE: DRAWINGS ARE CONCEPTUAL DRAWINGS ONLY AND ARE NOT TO BE USED FOR CONSTRUCTION PURPOSES.

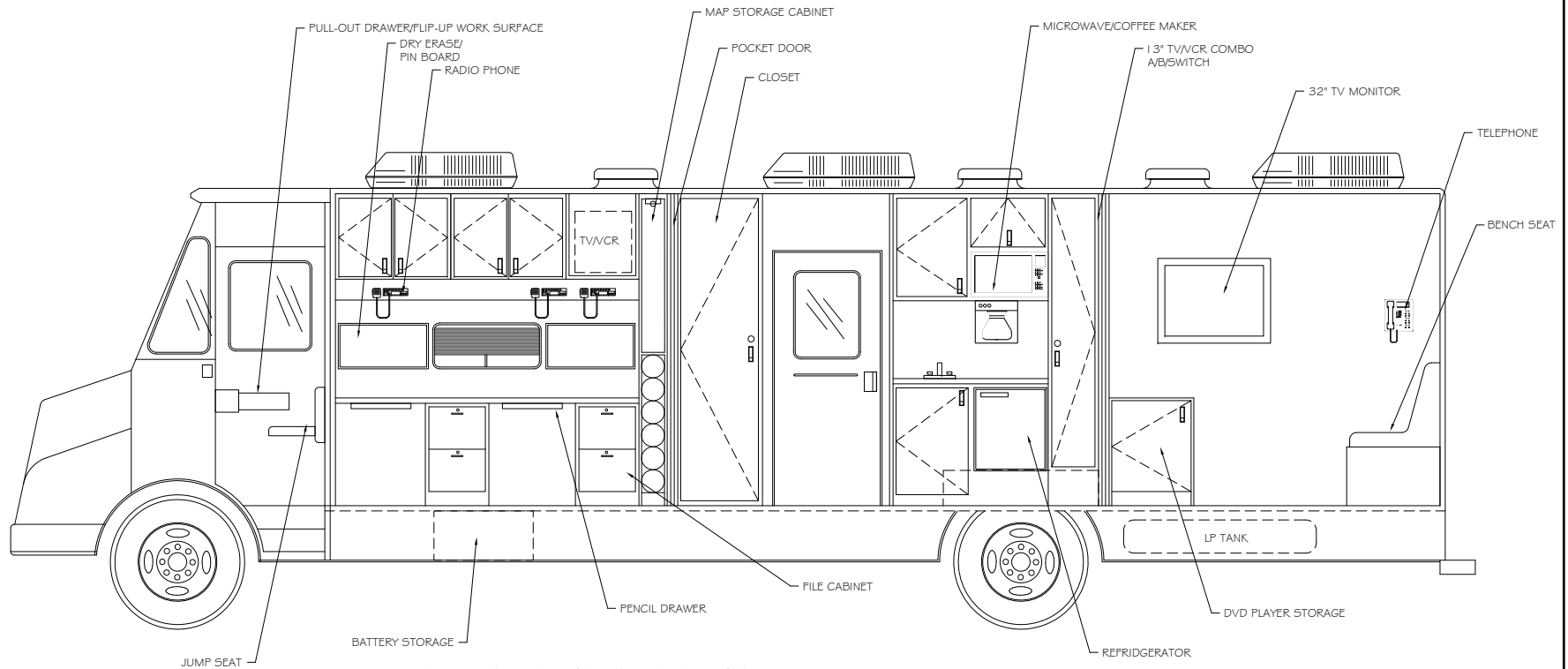
| | | |
|---|--|-------------------------------|
| DRAWING TITLE: 26' COMMAND VEHICLE | | DATE: 4/1/10 |
| CLIENT: | | DRAWN BY: |
| SCALE: 1/4"=1'-0" | | SHEET: 1 OF 7 |
| Specialty Vehicle Solutions, LLC 1475 Prospect Street Trenton, NJ 08638 | | DRAWING NO. 304-026 |
| | | REV: A |



STREET SIDE INTERIOR ELEVATION

NOTE: DRAWINGS ARE CONCEPTUAL DRAWINGS ONLY AND ARE NOT TO BE USED FOR CONSTRUCTION PURPOSES.

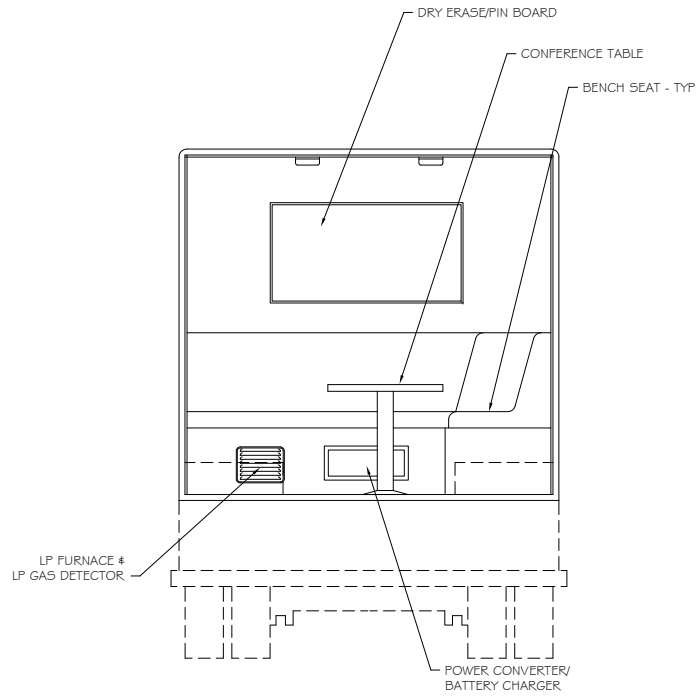
| | | |
|---|--|----------------------|
| DRAWING TITLE: 26' COMMAND VEHICLE | | DATE: 4/1/10 |
| CLIENT: | | DRAWN BY: |
| Specialty Vehicle Solutions, LLC 1475 Prospect Street Trenton, NJ 08638 | | SCALE: 1/4"=1'-0" |
| DRAWING NO. 304-026 | | SHEET: 2 OF 7 |
| REV: A | | |



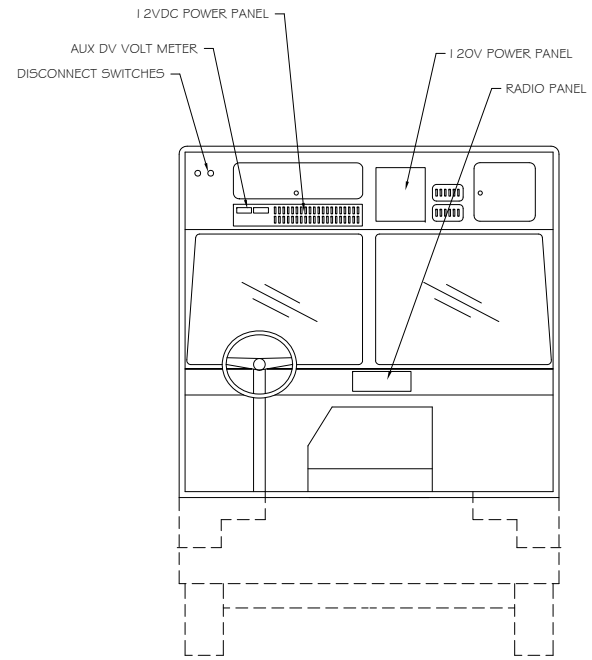
CURB SIDE INTERIOR ELEVATION

NOTE: DRAWINGS ARE CONCEPTUAL DRAWINGS ONLY AND ARE NOT TO BE USED FOR CONSTRUCTION PURPOSES.

| | | |
|---|--|----------------------|
| DRAWING TITLE: 26' COMMAND VEHICLE | | DATE: 4/1/10 |
| CLIENT: | | DRAWN BY: |
| Specialty Vehicle Solutions, LLC 1475 Prospect Street Trenton, NJ 08638 | | SCALE: 1/4"=1'-0" |
| DRAWING NO. 304-026 | | SHEET: 3 OF 7 |
| REV: | | A |



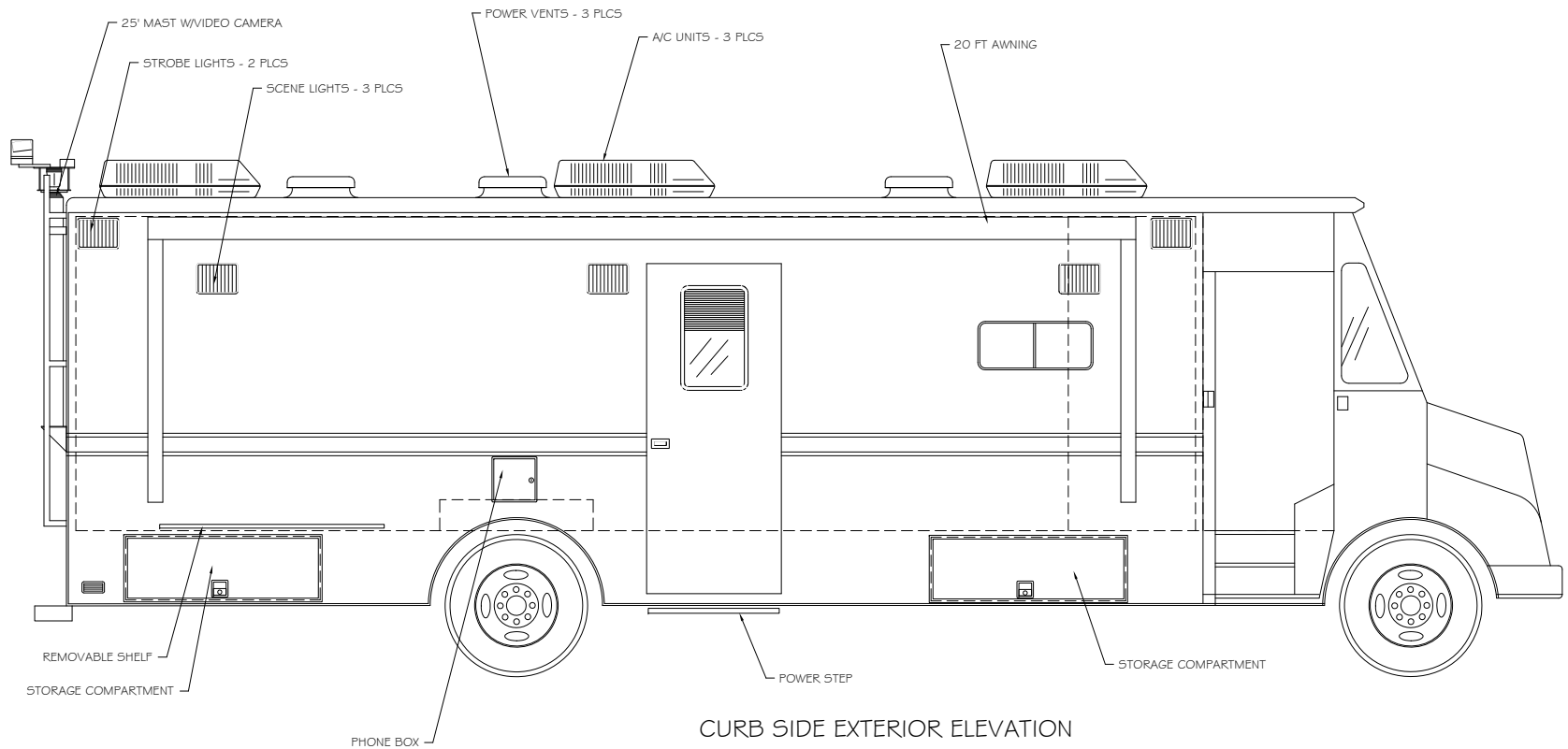
AFT INTERIOR ELEVATION



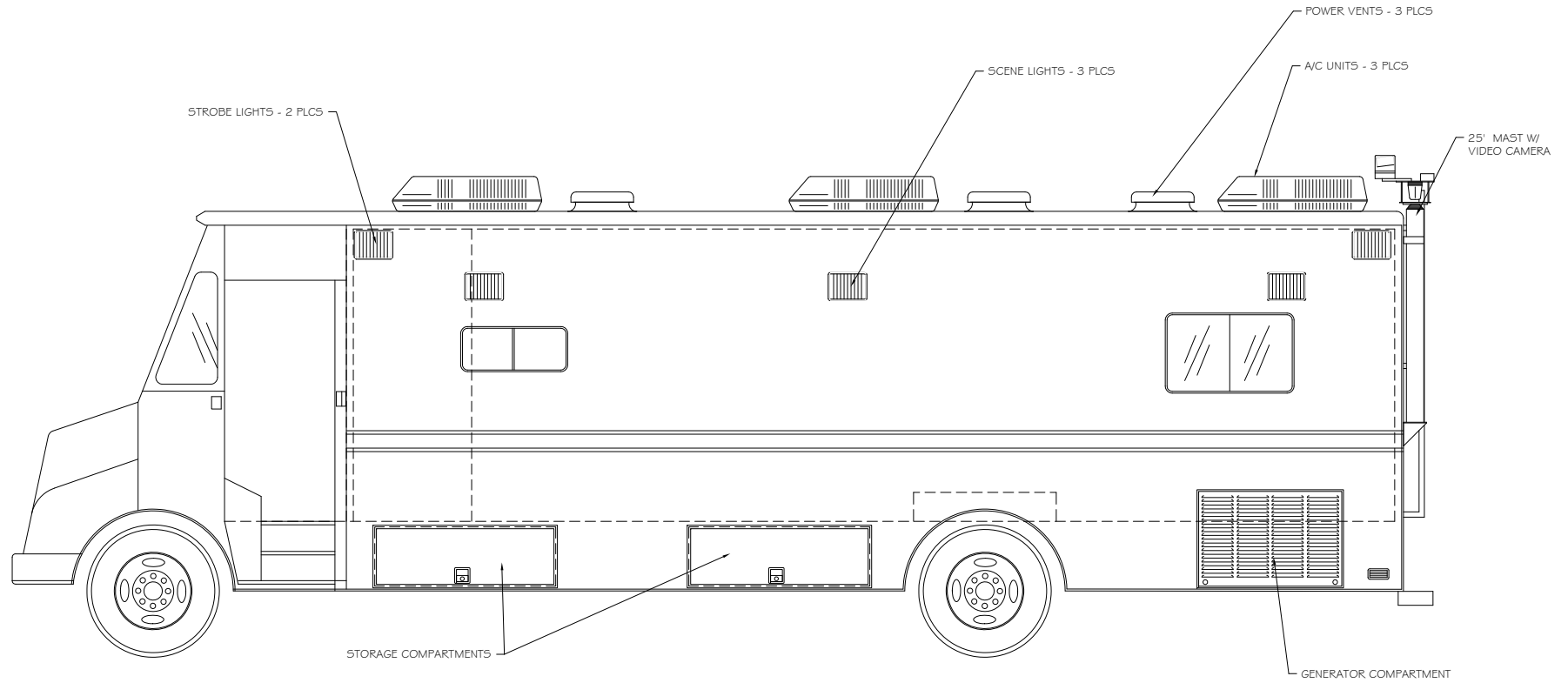
FORWARD INTERIOR ELEVATION

NOTE: DRAWINGS ARE CONCEPTUAL DRAWINGS ONLY AND ARE NOT TO BE USED FOR CONSTRUCTION PURPOSES.

| | | |
|---|--|----------------------|
| DRAWING TITLE: 26' COMMAND VEHICLE | | DATE: 4/1/10 |
| CLIENT: | | DRAWN BY: |
| Specialty Vehicle Solutions, LLC 1475 Prospect Street Trenton, NJ 08638 | | SCALE: 1/4"=1'-0" |
| DRAWING NO. 304-026 | | SHEET: 4 OF 7 |
| REV: | | A |

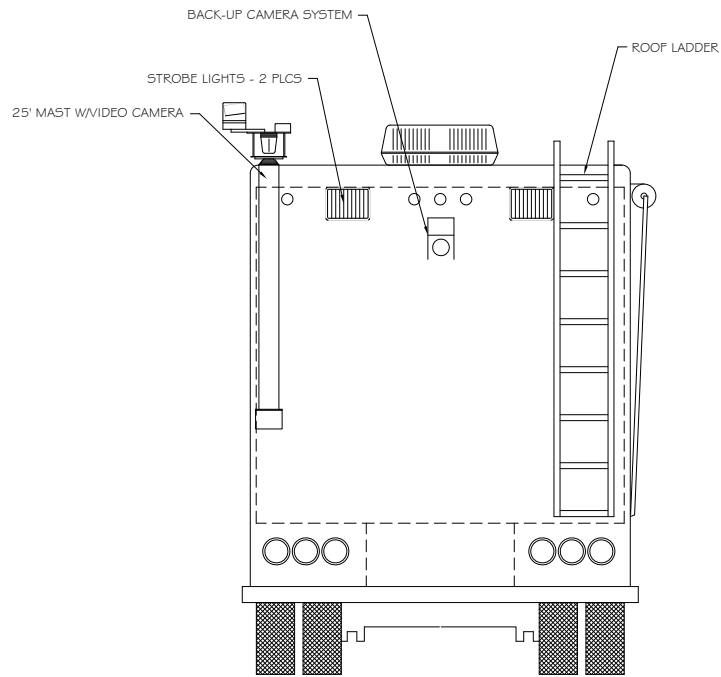


| | | |
|---|--|----------------------|
| DRAWING TITLE: 26' COMMAND VEHICLE | | DATE: 4/1/10 |
| CLIENT: | | DRAWN BY: |
| Specialty Vehicle Solutions, LLC 1475 Prospect Street Trenton, NJ 08638 | | SCALE: 1/4"=1'-0" |
| DRAWING NO. 304-026 | | SHEET: 5 OF 7 |
| REV: | | A |

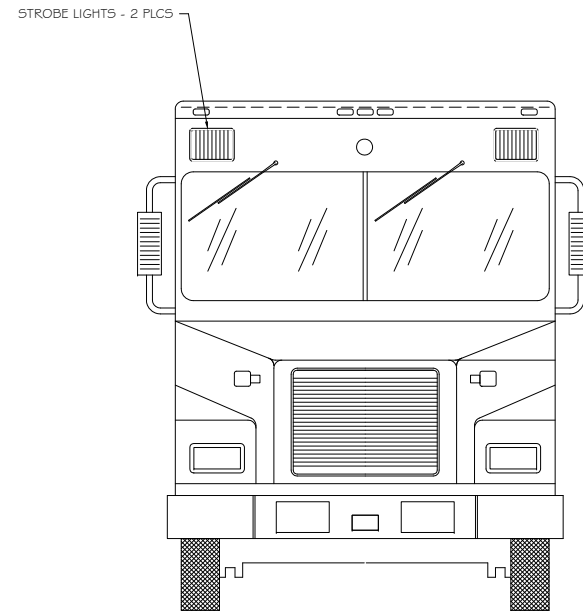


STREET SIDE EXTERIOR ELEVATION

| | | |
|---|--|----------------------|
| DRAWING TITLE: 26' COMMAND VEHICLE | | DATE: 4/1/10 |
| CLIENT: | | DRAWN BY: |
| Specialty Vehicle Solutions, LLC 1475 Prospect Street Trenton, NJ 08638 | | SCALE: 1/4"=1'-0" |
| DRAWING NO. 304-026 | | SHEET: 6 OF 7 |
| REV: | | A |



REAR ELEVATION



FRONT ELEVATION

| | | |
|---|--|----------------------|
| DRAWING TITLE: 26' COMMAND VEHICLE | | DATE: 4/1/10 |
| CLIENT: | | DRAWN BY: |
| Specialty Vehicle Solutions, LLC 1475 Prospect Street Trenton, NJ 08638 | | SCALE: 1/4"=1'-0" |
| DRAWING NO. 304-026 | | SHEET: 7 OF 7 |
| REV: | | A |