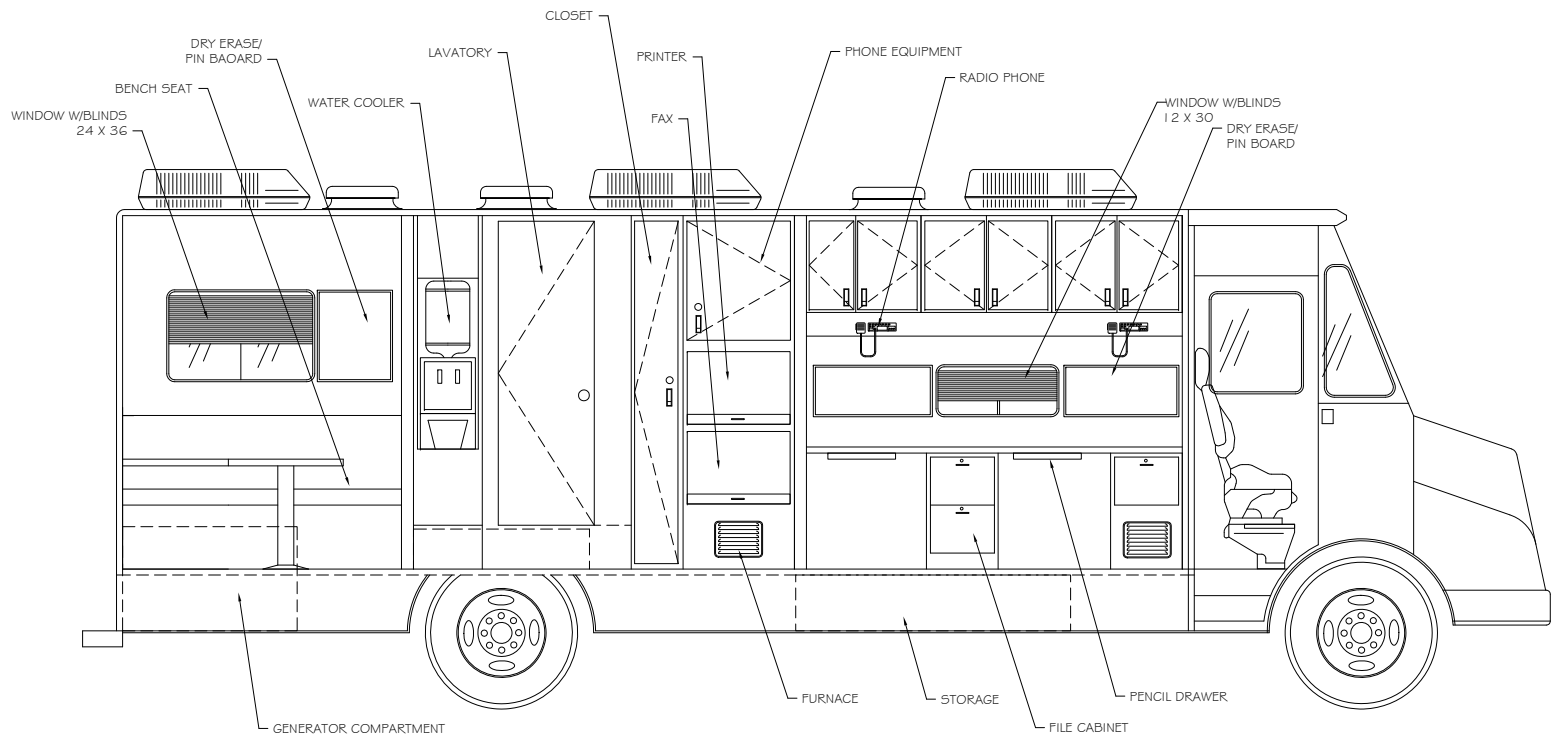


NOTE: DRAWINGS ARE CONCEPTUAL DRAWINGS ONLY AND ARE NOT TO BE USED FOR CONSTRUCTION PURPOSES.

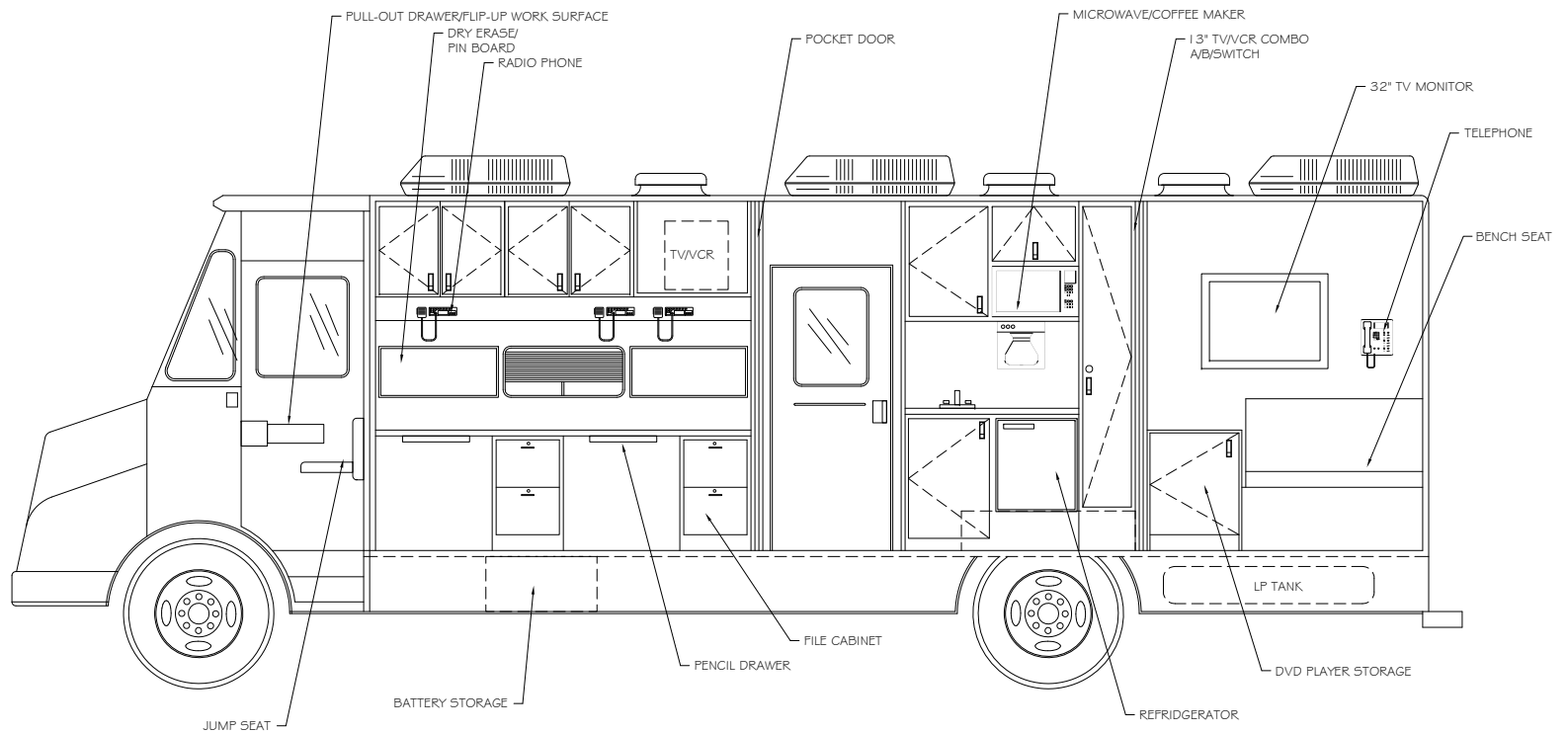
DRAWING TITLE: <b>22' COMMAND VEHICLE</b>		DATE: 4/1/10
CLIENT:		DRAWN BY:
Specialty Vehicle Solutions, LLC 1475 Prospect Street Trenton, NJ 08638		SCALE: 1/4"=1'-0"
DRAWING NO. <b>304-022</b>		SHEET: 1 OF 7
REV: <b>A</b>		



STREET SIDE INTERIOR ELEVATION

NOTE: DRAWINGS ARE CONCEPTUAL DRAWINGS ONLY AND ARE NOT TO BE USED FOR CONSTRUCTION PURPOSES.

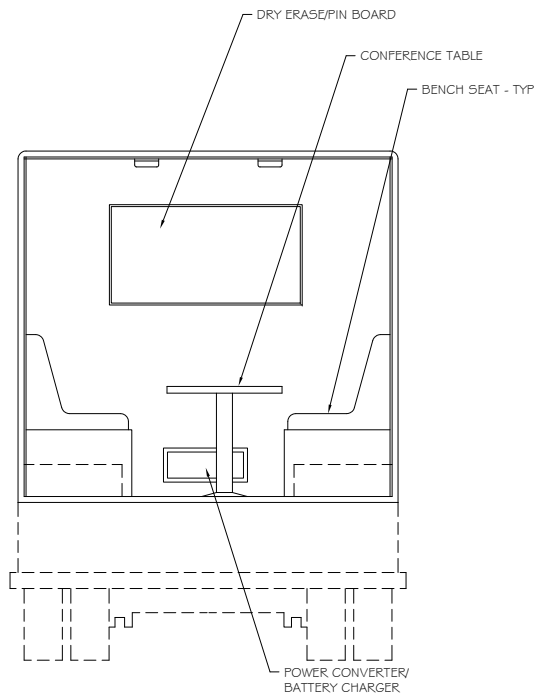
DRAWING TITLE: <b>22' COMMAND VEHICLE</b>		DATE: 4/1/10
CLIENT:		DRAWN BY:
		SCALE: 1/4"=1'-0"
		SHEET: 2 OF 7
Specialty Vehicle Solutions, LLC 1475 Prospect Street Trenton, NJ 08638		DRAWING NO. <b>304-022</b>
		REV: <b>A</b>



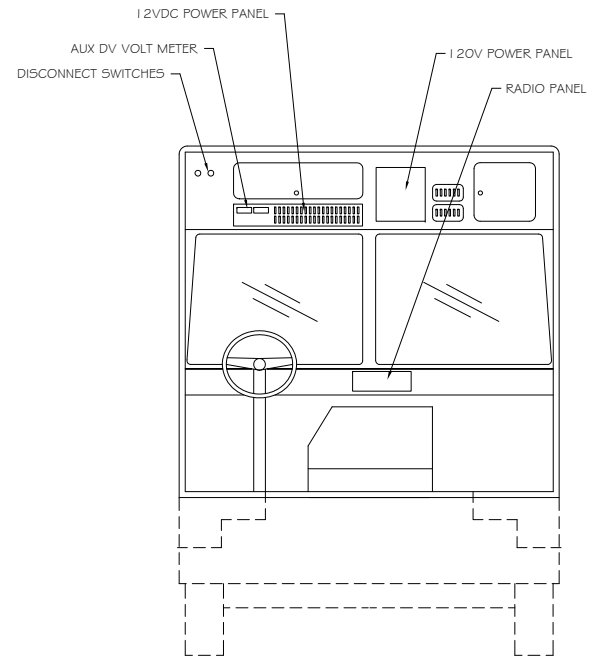
CURB SIDE INTERIOR ELEVATION

NOTE: DRAWINGS ARE CONCEPTUAL DRAWINGS ONLY AND ARE NOT TO BE USED FOR CONSTRUCTION PURPOSES.

DRAWING TITLE: <b>22' COMMAND VEHICLE</b>		DATE: 4/1/10
CLIENT:		DRAWN BY:
Specialty Vehicle Solutions, LLC 1475 Prospect Street Trenton, NJ 08638		SCALE: 1/4"=1'-0"
DRAWING NO. <b>304-022</b>		SHEET: 3 OF 7
REV: <b>A</b>		



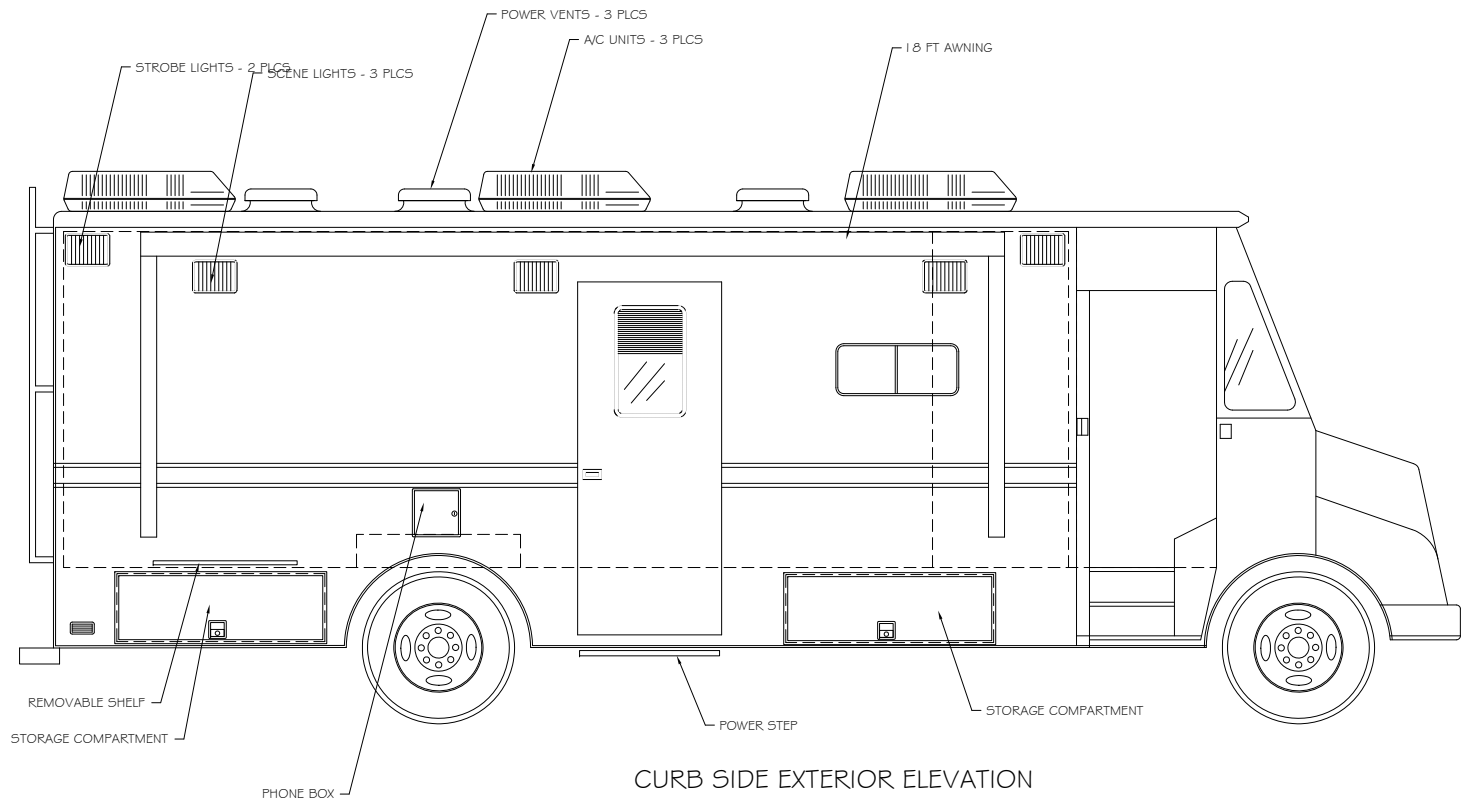
AFT INTERIOR ELEVATION



FORWARD INTERIOR ELEVATION

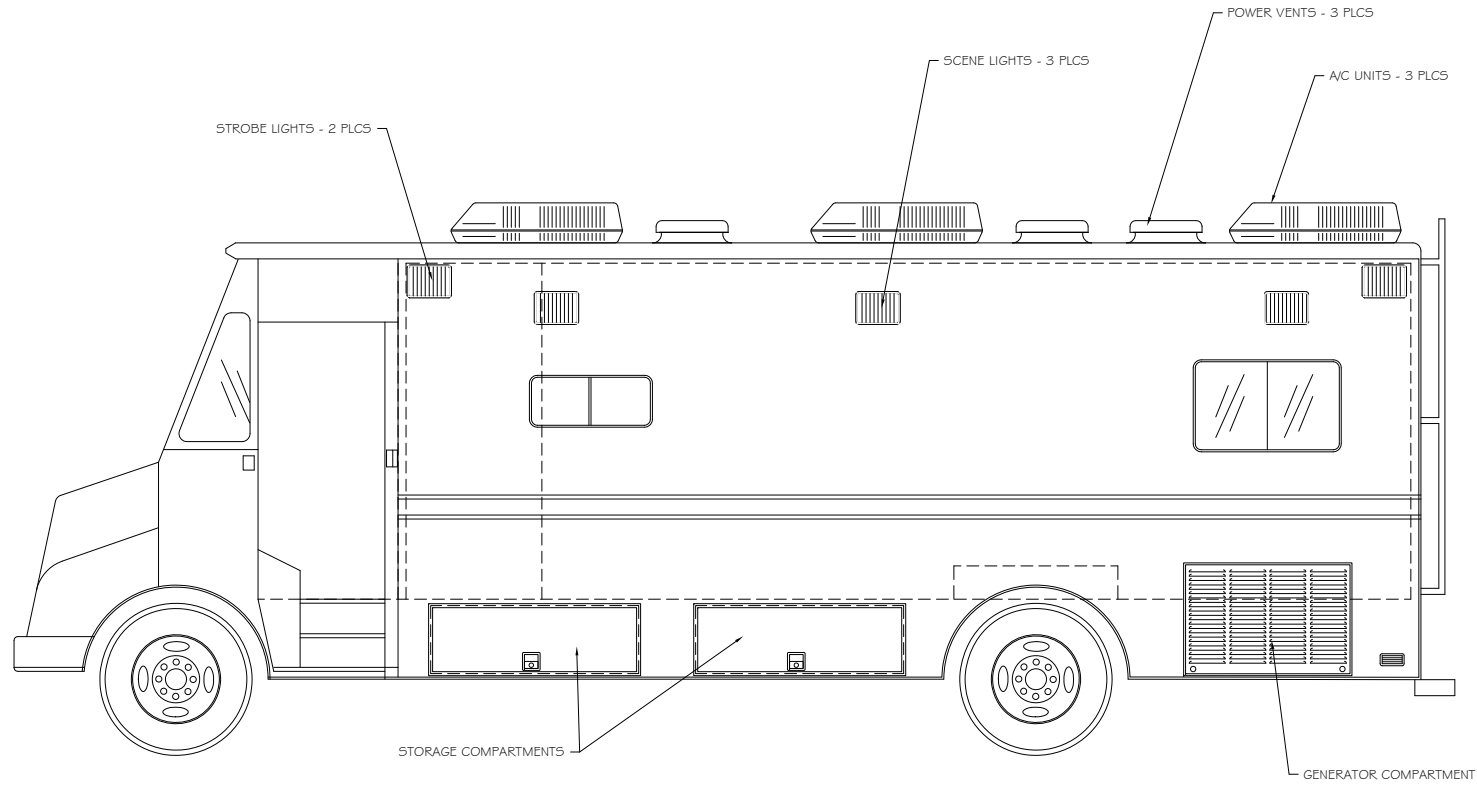
NOTE: DRAWINGS ARE CONCEPTUAL DRAWINGS ONLY AND ARE NOT TO BE USED FOR CONSTRUCTION PURPOSES.

DRAWING TITLE: <b>22' COMMAND VEHICLE</b>		DATE: 4/1/10
CLIENT:		DRAWN BY:
Specialty Vehicle Solutions, LLC 1475 Prospect Street Trenton, NJ 08638		SCALE: 1/4"=1'-0"
DRAWING NO. <b>304-022</b>		SHEET: 4 OF 7
REV: <b>A</b>		



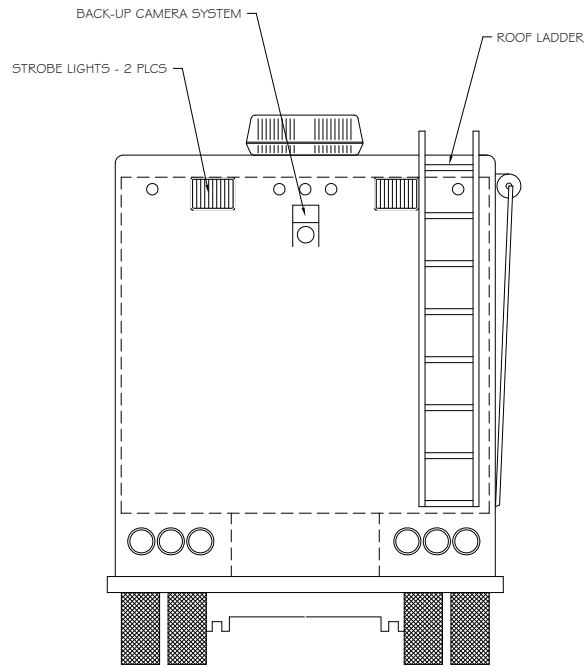
CURB SIDE EXTERIOR ELEVATION

DRAWING TITLE:		DATE: 4/1/10	
22' COMMAND VEHICLE		DRAWN BY:	
CLIENT:		SCALE: 1/4"=1'-0"	
		SHEET: 5 OF 7	
Specialty Vehicle Solutions, LLC 1475 Prospect Street Trenton, NJ 08638		DRAWING NO.:	REV:
		304-022	A

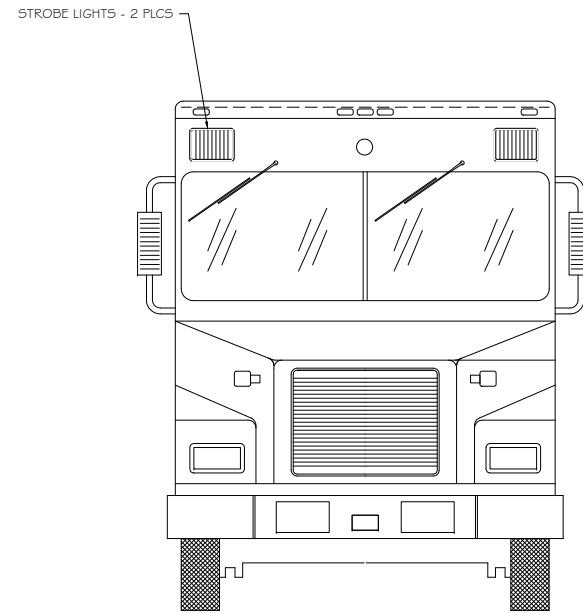


STREET SIDE EXTERIOR ELEVATION

DRAWING TITLE: <b>22' COMMAND VEHICLE</b>		DATE: 4/1/10
CLIENT:		DRAWN BY:
Specialty Vehicle Solutions, LLC 1475 Prospect Street Trenton, NJ 08638		SCALE: 1/4"=1'-0"
DRAWING NO. <b>304-022</b>		SHEET: 6 OF 7
REV: <b>A</b>		



REAR ELEVATION



FRONT ELEVATION

DRAWING TITLE: <b>22' COMMAND VEHICLE</b>		DATE: 4/1/10
CLIENT:		DRAWN BY:
Specialty Vehicle Solutions, LLC 1475 Prospect Street Trenton, NJ 08638		SCALE: 1/4"=1'-0"
DRAWING NO. <b>304-022</b>		SHEET: 7 OF 7
REV: <b>A</b>		