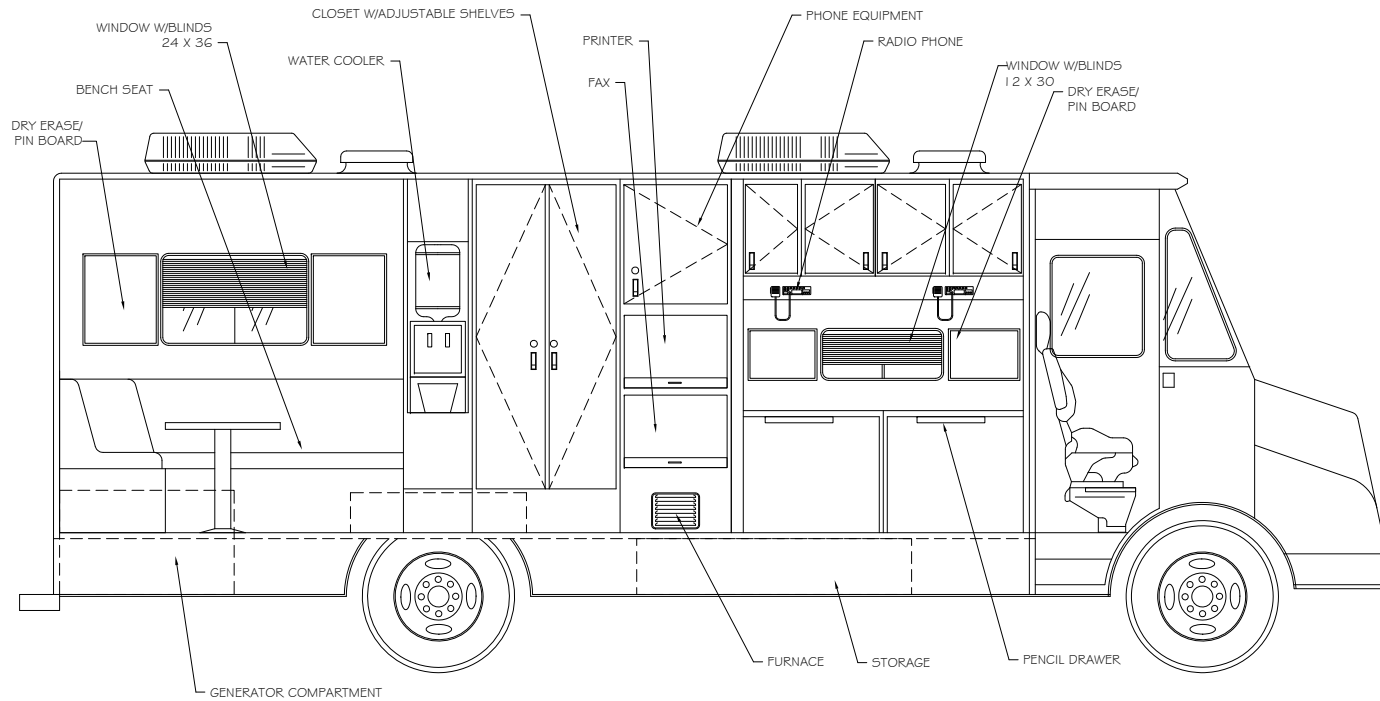


FLOOR PLAN

NOTE: DRAWINGS ARE CONCEPTUAL DRAWINGS ONLY AND ARE NOT TO BE USED FOR CONSTRUCTION PURPOSES.

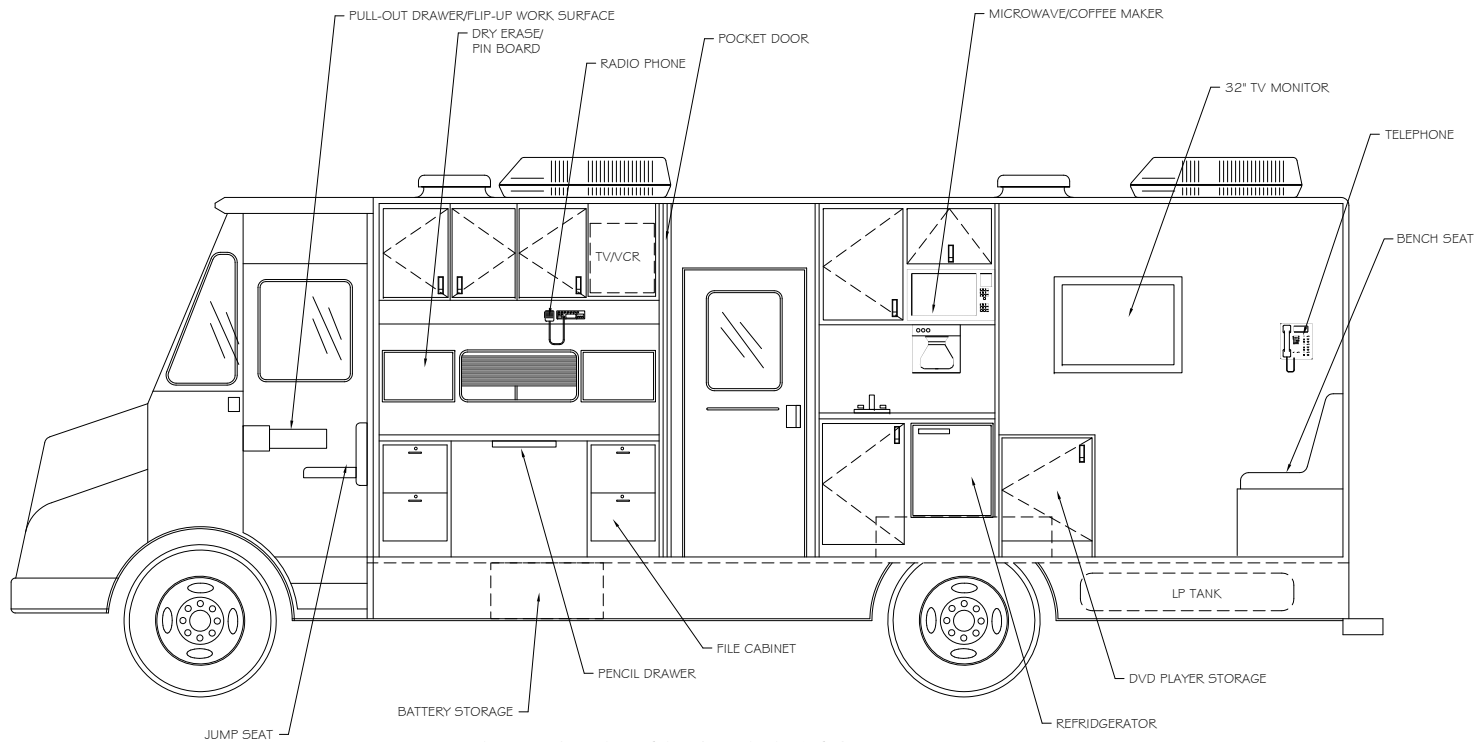
DRAWING TITLE: 20' COMMAND VEHICLE		DATE: 4/1/10
CLIENT:		DRAWN BY:
Specialty Vehicle Solutions, LLC 1475 Prospect Street Trenton, NJ 08638		SCALE: 1/4"=1'-0"
DRAWING NO. 304-020		SHEET: 1 OF 7
REV: A		



STREET SIDE INTERIOR ELEVATION

NOTE: DRAWINGS ARE CONCEPTUAL DRAWINGS ONLY AND ARE NOT TO BE USED FOR CONSTRUCTION PURPOSES.

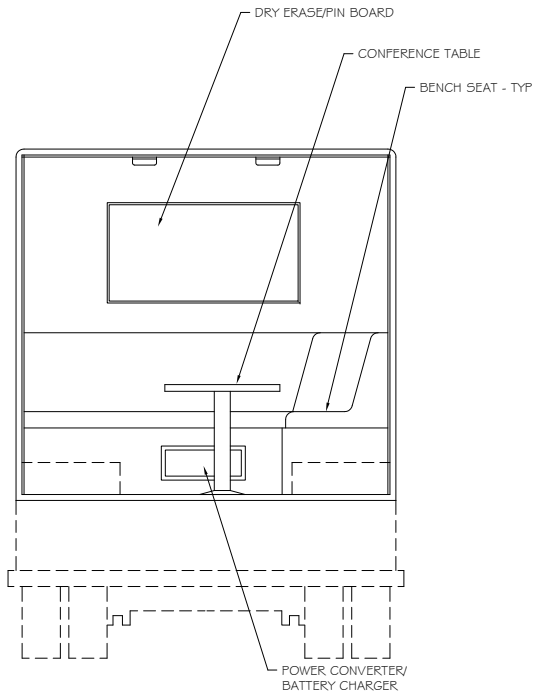
DRAWING TITLE: 20' COMMAND VEHICLE		DATE: 4/1/10
CLIENT:		DRAWN BY:
Specialty Vehicle Solutions, LLC 1475 Prospect Street Trenton, NJ 08638		SCALE: 1/4"=1'-0"
DRAWING NO. 304-020		SHEET: 2 OF 7
REV:		A



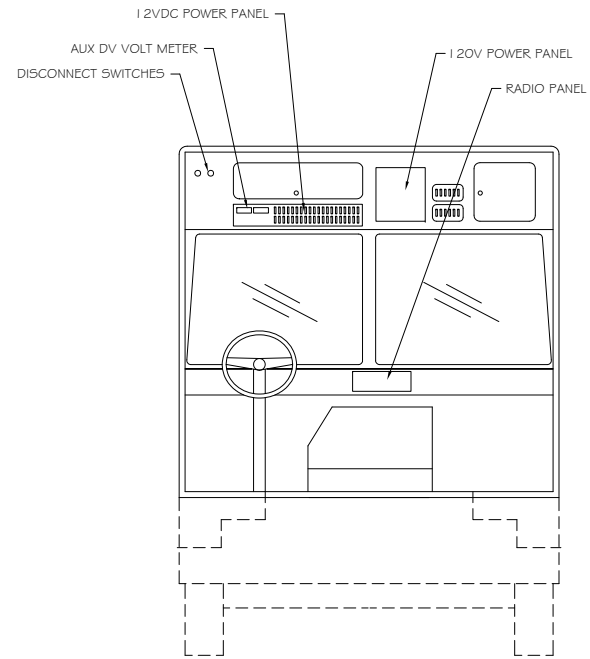
CURB SIDE INTERIOR ELEVATION

NOTE: DRAWINGS ARE CONCEPTUAL DRAWINGS ONLY AND ARE NOT TO BE USED FOR CONSTRUCTION PURPOSES.

DRAWING TITLE: 20' COMMAND VEHICLE		DATE: 4/1/10
CLIENT:		DRAWN BY:
Specialty Vehicle Solutions, LLC 1475 Prospect Street Trenton, NJ 08638		SCALE: 1/4"=1'-0"
DRAWING NO. 304-020		SHEET: 3 OF 7
REV:		A



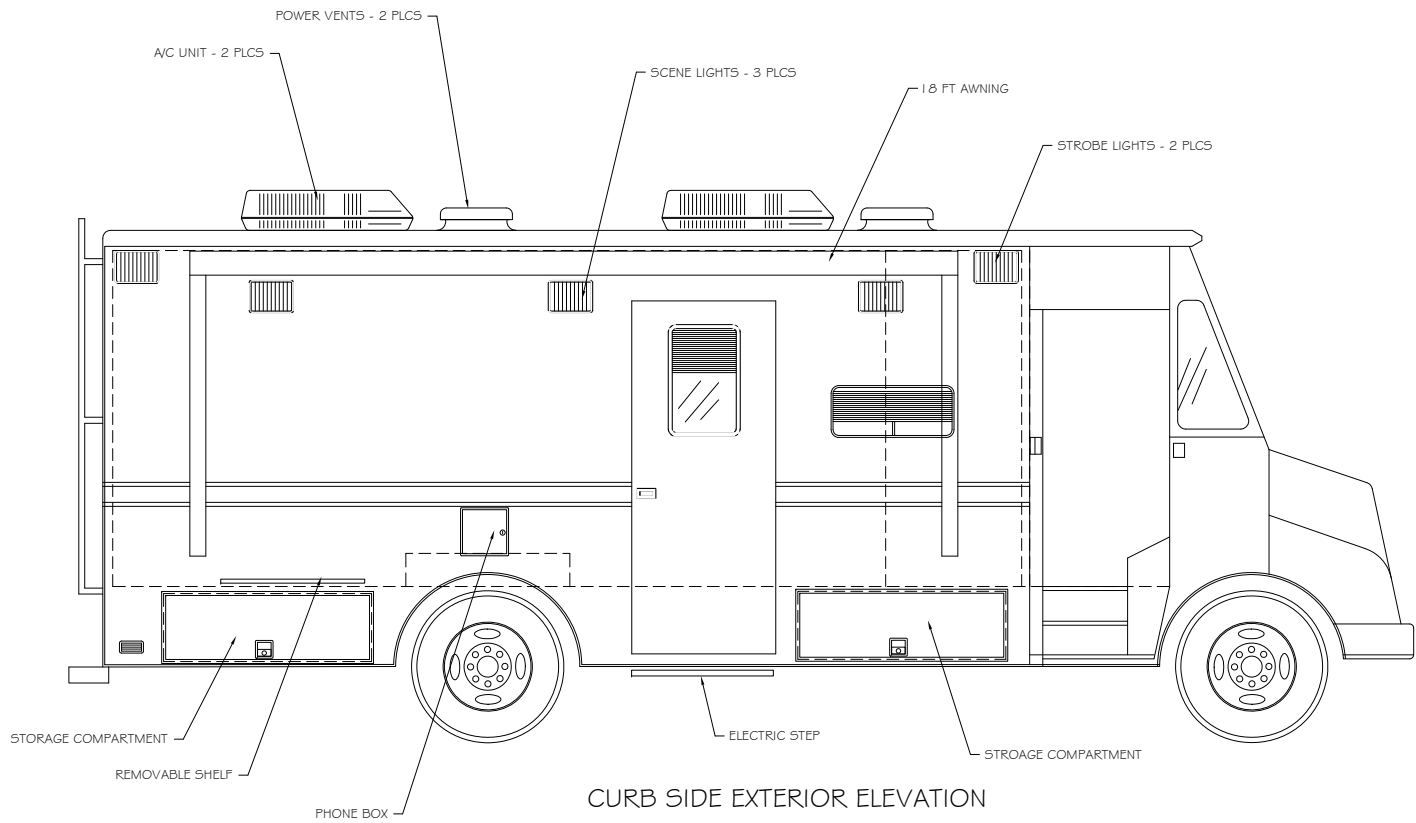
AFT INTERIOR ELEVATION



FORWARD INTERIOR ELEVATION

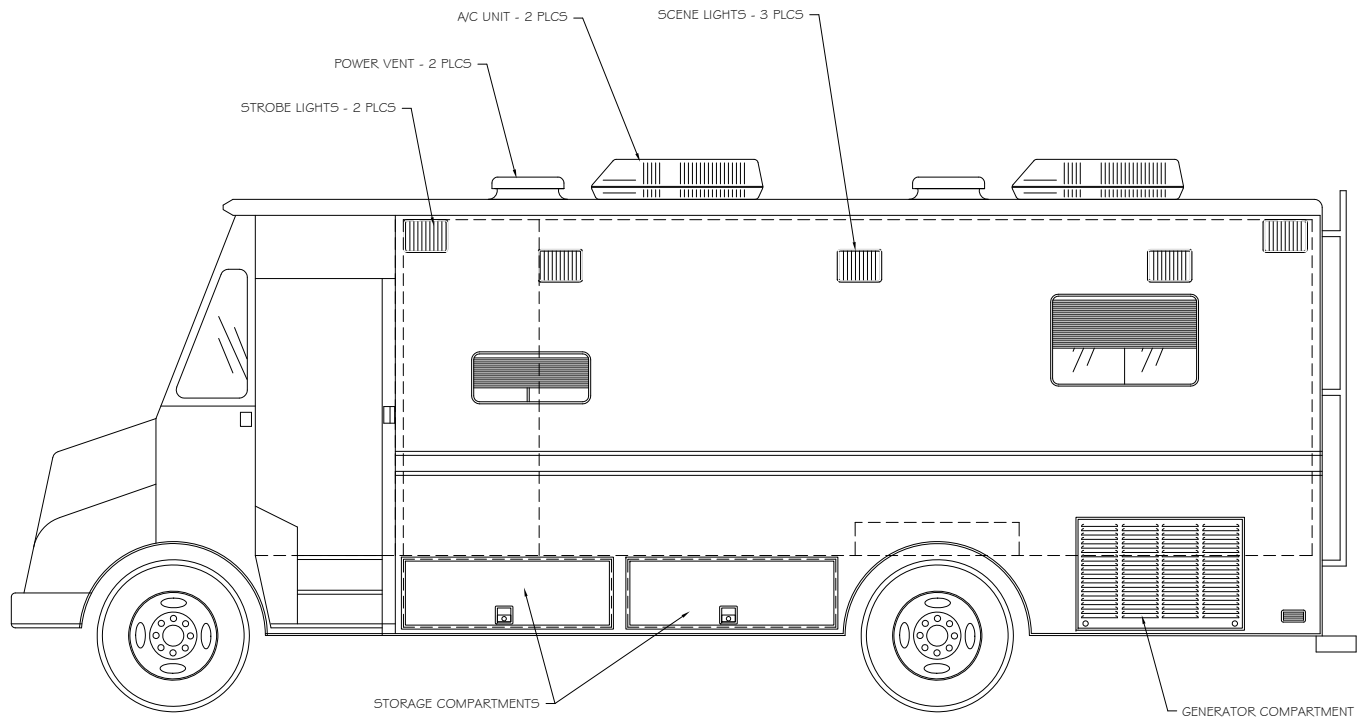
NOTE: DRAWINGS ARE CONCEPTUAL DRAWINGS ONLY AND ARE NOT TO BE USED FOR CONSTRUCTION PURPOSES.

DRAWING TITLE: 20' COMMAND VEHICLE		DATE: 4/1/10
CLIENT:		DRAWN BY:
Specialty Vehicle Solutions, LLC 1475 Prospect Street Trenton, NJ 08638		SCALE: 1/4"=1'-0"
DRAWING NO. 304-020		SHEET: 4 OF 7
REV:		A



CURB SIDE EXTERIOR ELEVATION

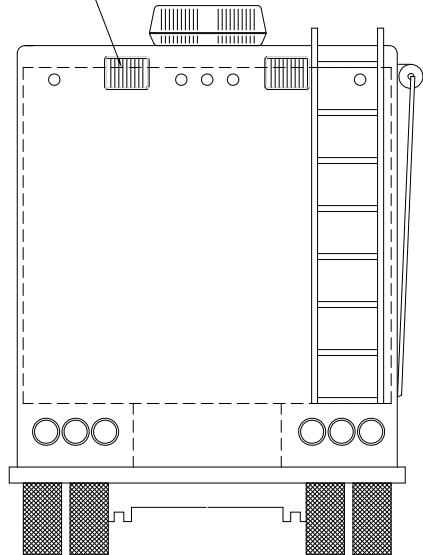
DRAWING TITLE:		DATE:
20' COMMAND VEHICLE		4/1/10
CLIENT:		DRAWN BY:
Specialty Vehicle Solutions, LLC		
1475 Prospect Street		SCALE: 1/4"=1'-0"
Trenton, NJ 08638		SHEET: 5 OF 7
DRAWING NO.:	REV:	
304-020	A	



STREET SIDE EXTERIOR ELEVATION

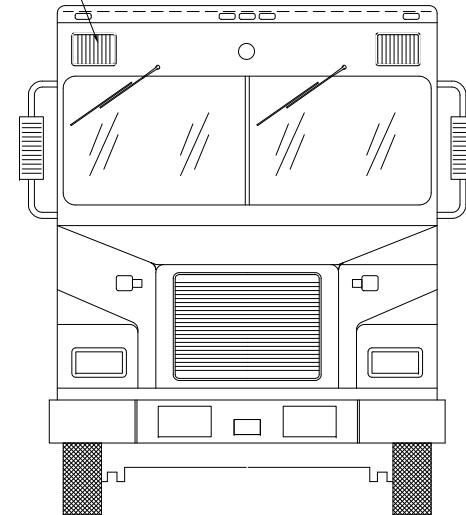
DRAWING TITLE: 20' COMMAND VEHICLE		DATE: 4/1/10
CLIENT:		DRAWN BY:
Specialty Vehicle Solutions, LLC 1475 Prospect Street Trenton, NJ 08638		SCALE: 1/4"=1'-0"
DRAWING NO. 304-020		SHEET: 6 OF 7
REV:		A

STROBE LIGHTS - 2 PLCS



REAR ELEVATION

STROBE LIGHTS - 2 PLCS



FRONT ELEVATION

DRAWING TITLE: 20' COMMAND VEHICLE		DATE: 4/1/10
CLIENT:		DRAWN BY:
Specialty Vehicle Solutions, LLC 1475 Prospect Street Trenton, NJ 08638		SCALE: 1/4"=1'-0"
DRAWING NO. 304-020		SHEET: 7 OF 7
REV:		A