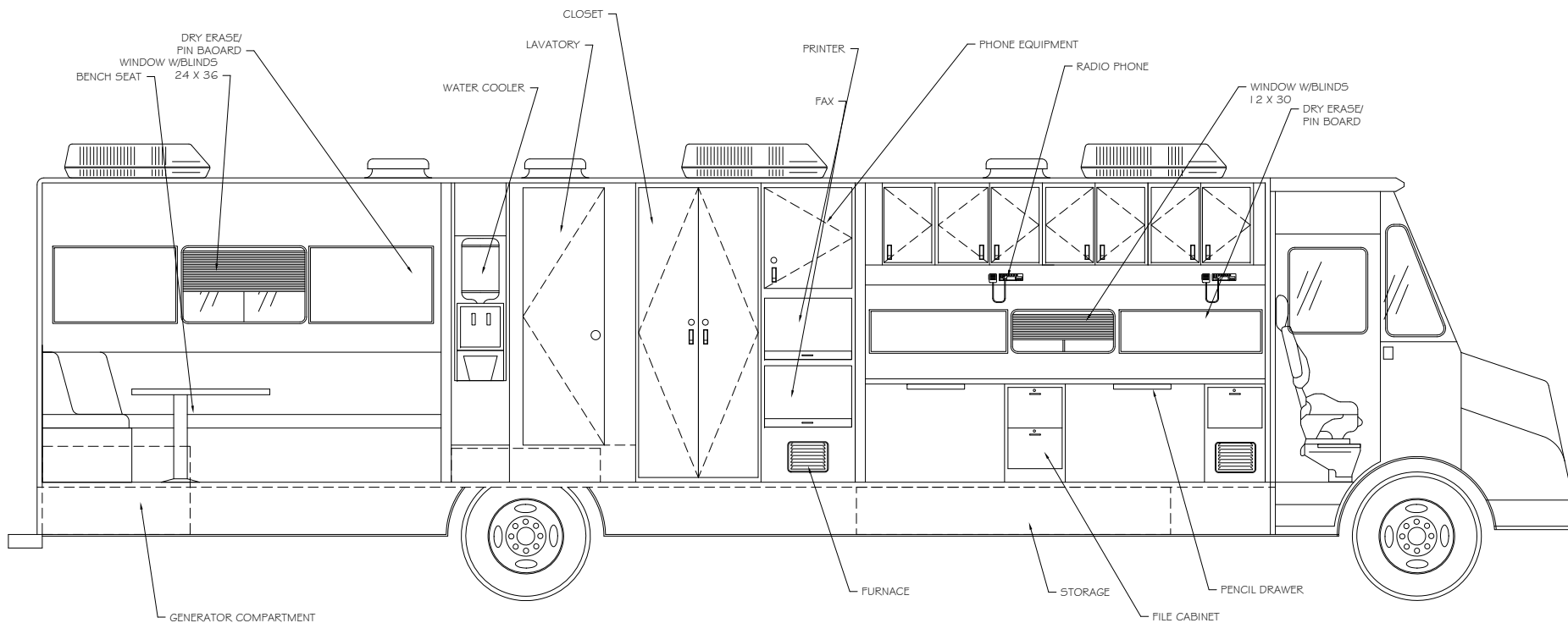


FLOOR PLAN

NOTE: DRAWINGS ARE CONCEPTUAL DRAWINGS ONLY AND ARE NOT TO BE USED FOR CONSTRUCTION PURPOSES.

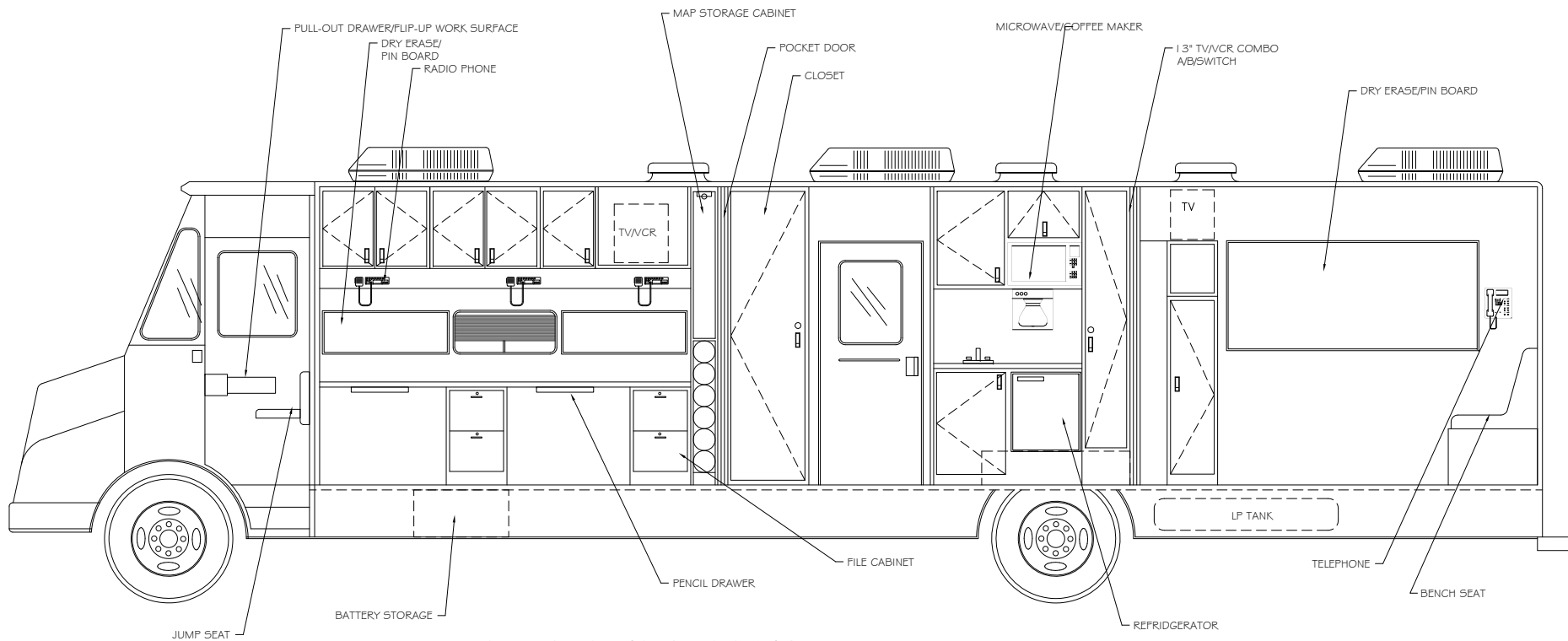
DRAWING TITLE: 30' COMMAND VEHICLE		DATE: 2/25/09
CLIENT:		DRAWN BY:
Specialty Vehicle Solutions, LLC 47 Virginia Avenue Trenton, NJ 08611		SCALE: 1/4"=1'-0"
DRAWING NO: 304-296		SHEET: 1 OF 7
REV:		A



STREET SIDE INTERIOR ELEVATION

NOTE: DRAWINGS ARE CONCEPTUAL DRAWINGS ONLY AND ARE NOT TO BE USED FOR CONSTRUCTION PURPOSES.

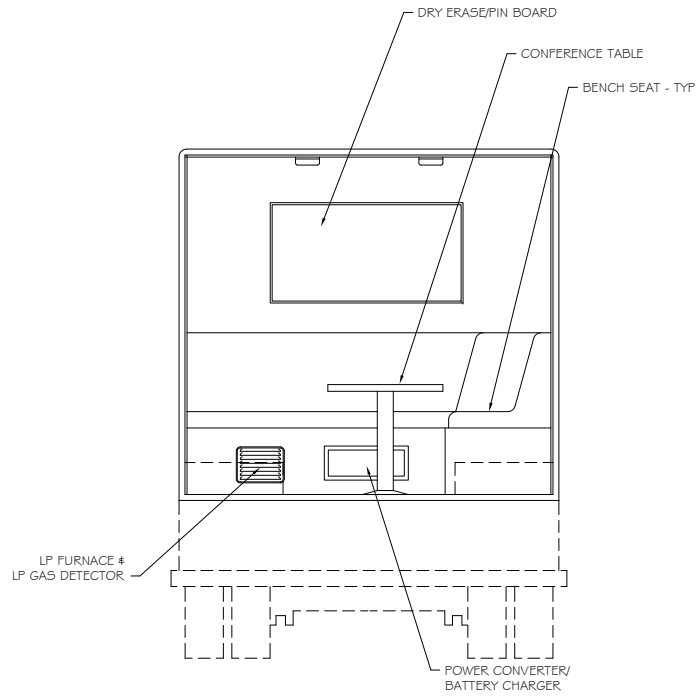
DRAWING TITLE: 30' COMMAND VEHICLE		DATE: 2/25/09
CLIENT:		DRAWN BY:
Specialty Vehicle Solutions, LLC 47 Virginia Avenue Trenton, NJ 08611		SCALE: 1/4"=1'-0"
DRAWING NO. 304-296		SHEET: 2 OF 7
REV: A		



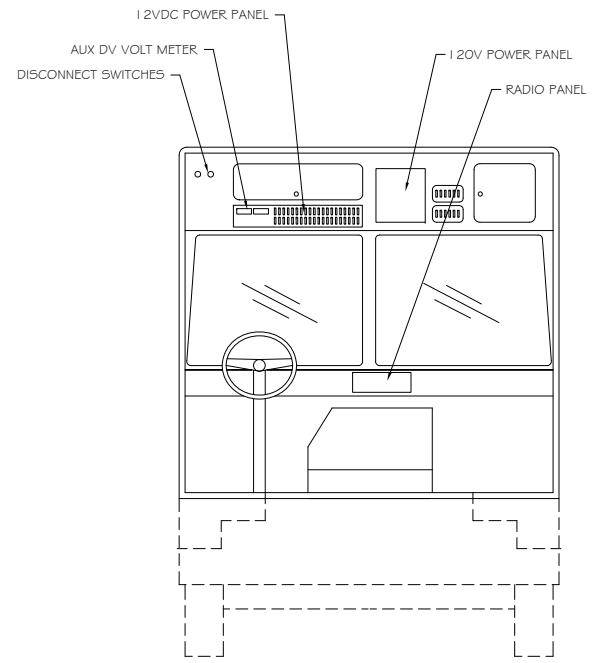
CURB SIDE INTERIOR ELEVATION

NOTE: DRAWINGS ARE CONCEPTUAL DRAWINGS ONLY AND ARE NOT TO BE USED FOR CONSTRUCTION PURPOSES.

DRAWING TITLE: 30' COMMAND VEHICLE		DATE: 2/25/09
CLIENT:		DRAWN BY:
Specialty Vehicle Solutions, LLC 47 Virginia Avenue Trenton, NJ 08611		SCALE: 1/4"=1'-0"
DRAWING NO. 304-296		SHEET: 3 OF 7
REV: A		



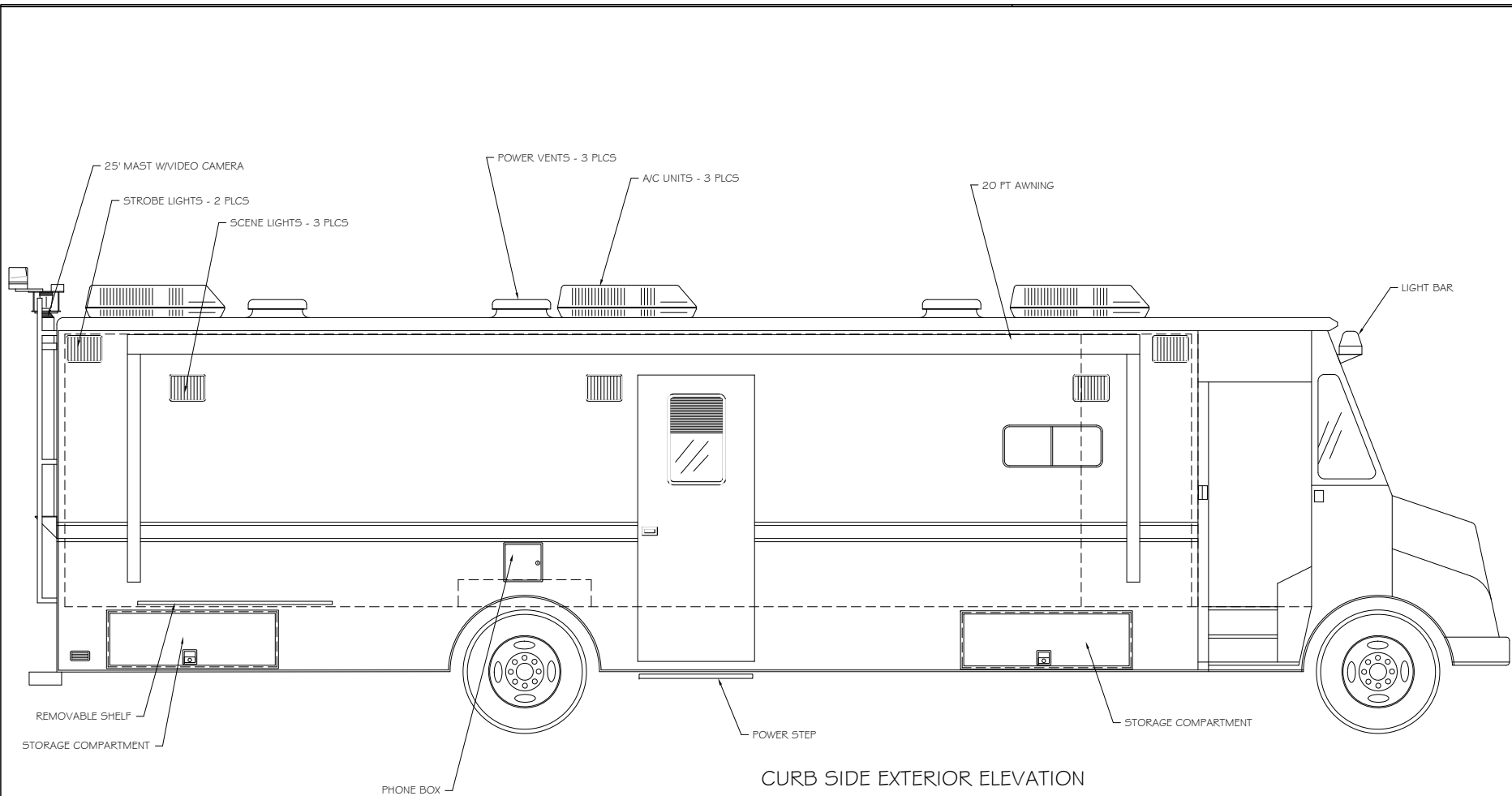
AFT INTERIOR ELEVATION



FORWARD INTERIOR ELEVATION

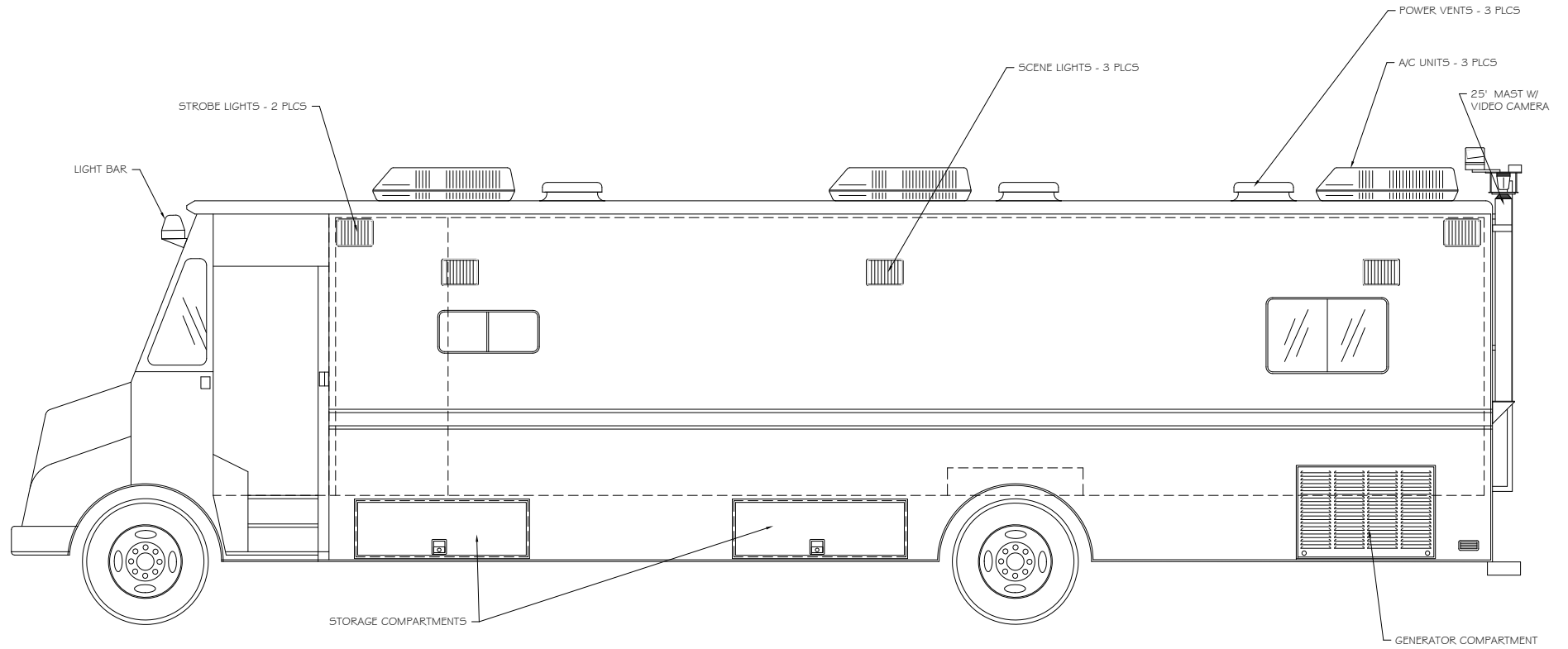
NOTE: DRAWINGS ARE CONCEPTUAL DRAWINGS ONLY AND ARE NOT TO BE USED FOR CONSTRUCTION PURPOSES.

DRAWING TITLE: 30' COMMAND VEHICLE		DATE: 2/25/09
CLIENT:		DRAWN BY:
Specialty Vehicle Solutions, LLC 47 Virginia Avenue Trenton, NJ 08611		SCALE: 1/4"=1'-0"
DRAWING NO. 304-296		SHEET: 4 OF 7
REV: A		



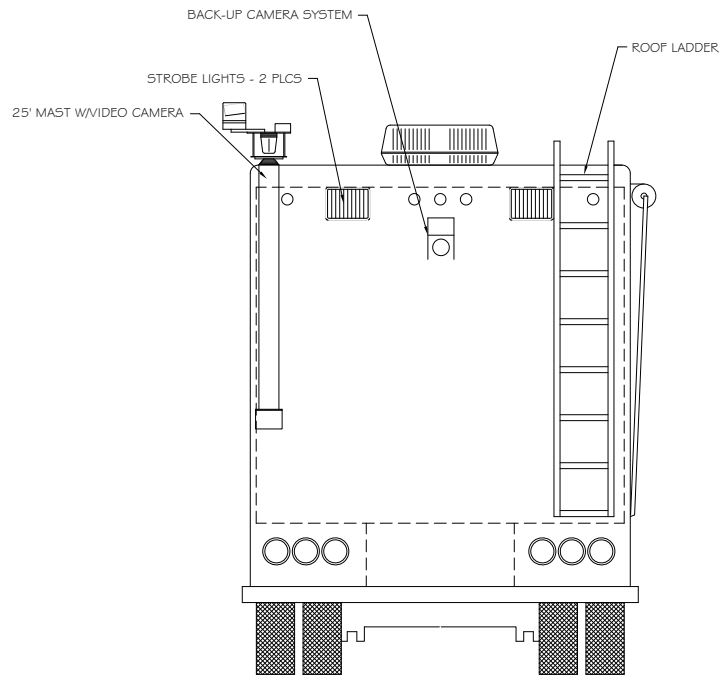
CURB SIDE EXTERIOR ELEVATION

DRAWING TITLE:		DATE: 2/25/09	
30' COMMAND VEHICLE		DRAWN BY:	
CLIENT:		SCALE: 1/4"=1'-0"	
		SHEET: 5 OF 7	
Specialty Vehicle Solutions, LLC 47 Virginia Avenue Trenton, NJ 08611		DRAWING NO.:	REV:
		304-296	A

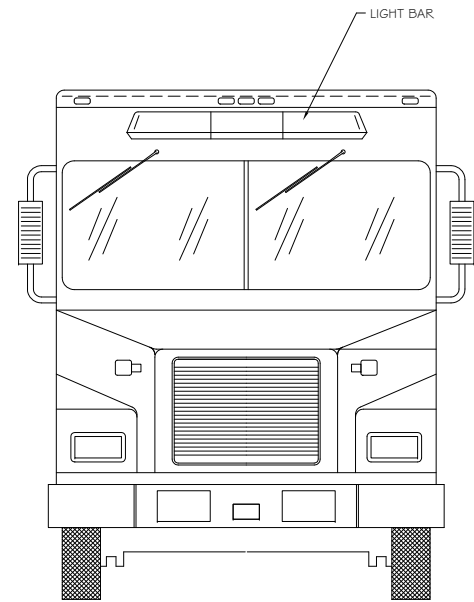


STREET SIDE EXTERIOR ELEVATION

DRAWING TITLE: 30' COMMAND VEHICLE		DATE: 2/25/09
CLIENT:		DRAWN BY:
Specialty Vehicle Solutions, LLC 47 Virginia Avenue Trenton, NJ 08611		SCALE: 1/4"=1'-0"
DRAWING NO. 304-296		SHEET: 6 OF 7
REV: A		



REAR ELEVATION



FRONT ELEVATION

DRAWING TITLE: 30' COMMAND VEHICLE		DATE: 2/25/09
CLIENT:		DRAWN BY:
Specialty Vehicle Solutions, LLC 47 Virginia Avenue Trenton, NJ 08611		SCALE: 1/4"=1'-0"
DRAWING NO. 304-296		SHEET: 7 OF 7
REV: A		