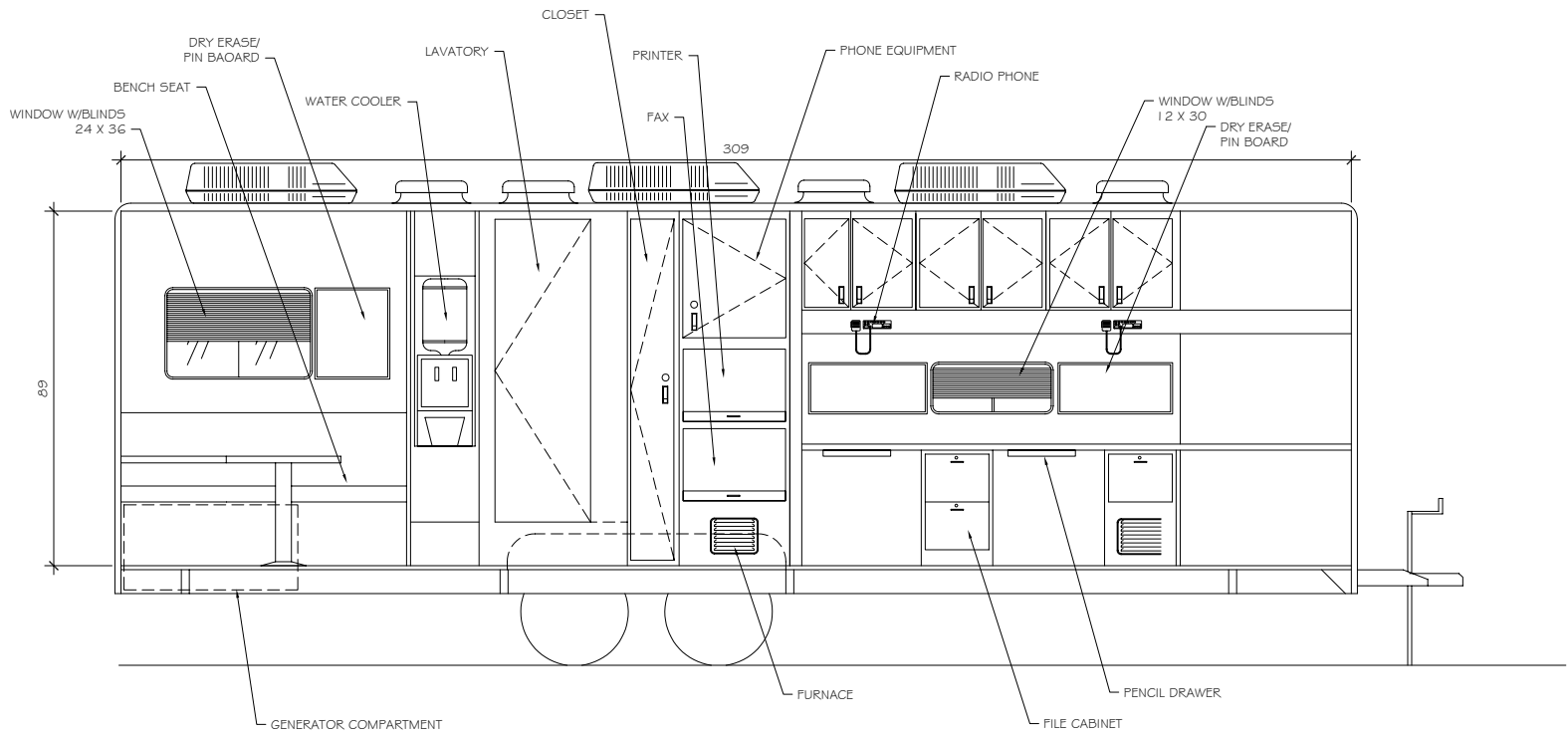


FLOOR PLAN

NOTE: DRAWINGS ARE CONCEPTUAL DRAWINGS ONLY AND ARE NOT TO BE USED FOR CONSTRUCTION PURPOSES.

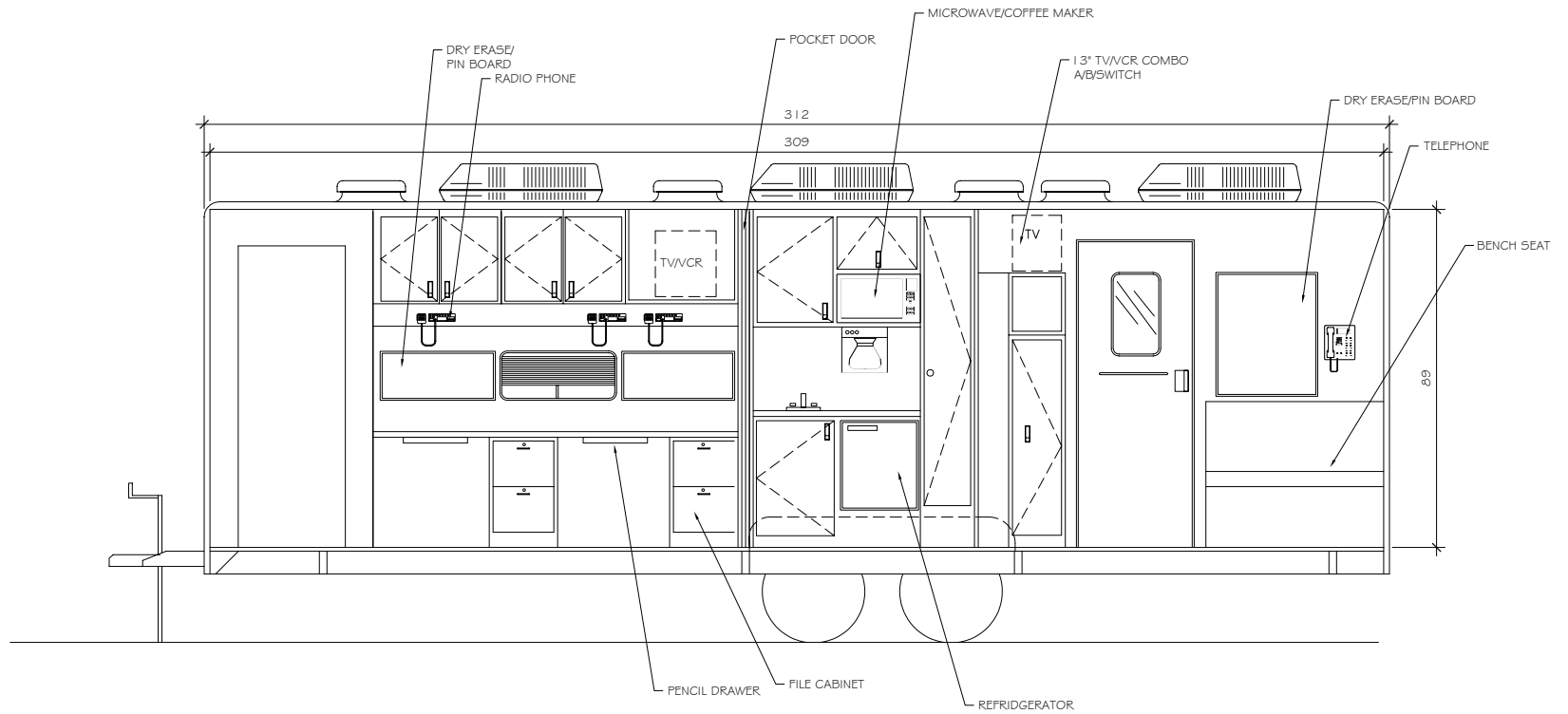
DRAWING TITLE:		DATE: 05-17-05	
22' COMMAND TRAILER		DRAWN BY:	
CLIENT:		SCALE: 1/4"=1'-0"	
		SHEET: 1 OF 7	
Specialty Vehicle Solutions, LLC 47 Virginia Avenue Trenton, NJ 08611		DRAWING NO:	REV:
		304-023	A



INTERIOR LEFT SIDE ELEVATION

NOTE: DRAWINGS ARE CONCEPTUAL DRAWINGS ONLY AND ARE NOT TO BE USED FOR CONSTRUCTION PURPOSES.

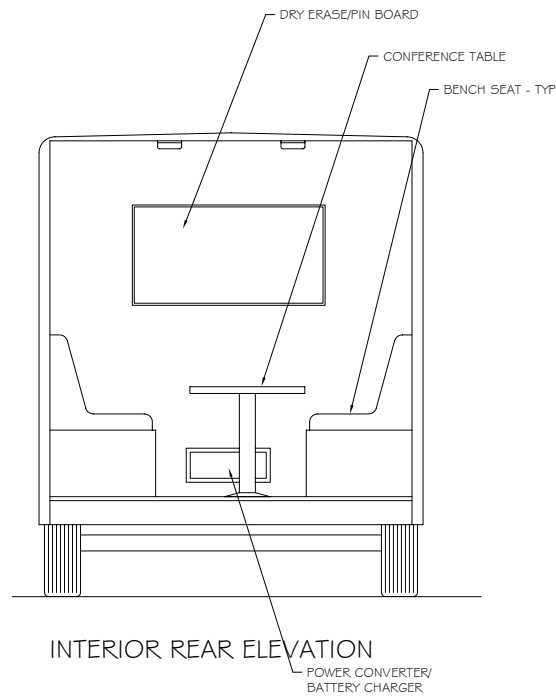
DRAWING TITLE: 22' COMMAND TRAILER		DATE: 5/17/05
CLIENT:		DRAWN BY:
Specialty Vehicle Solutions, LLC 47 Virginia Avenue Trenton, NJ 08611		SCALE: 1/4"=1'-0"
DRAWING NO. 304-023		SHEET: 2 OF 7
REV:		A



INTERIOR RIGHT SIDE ELEVATION

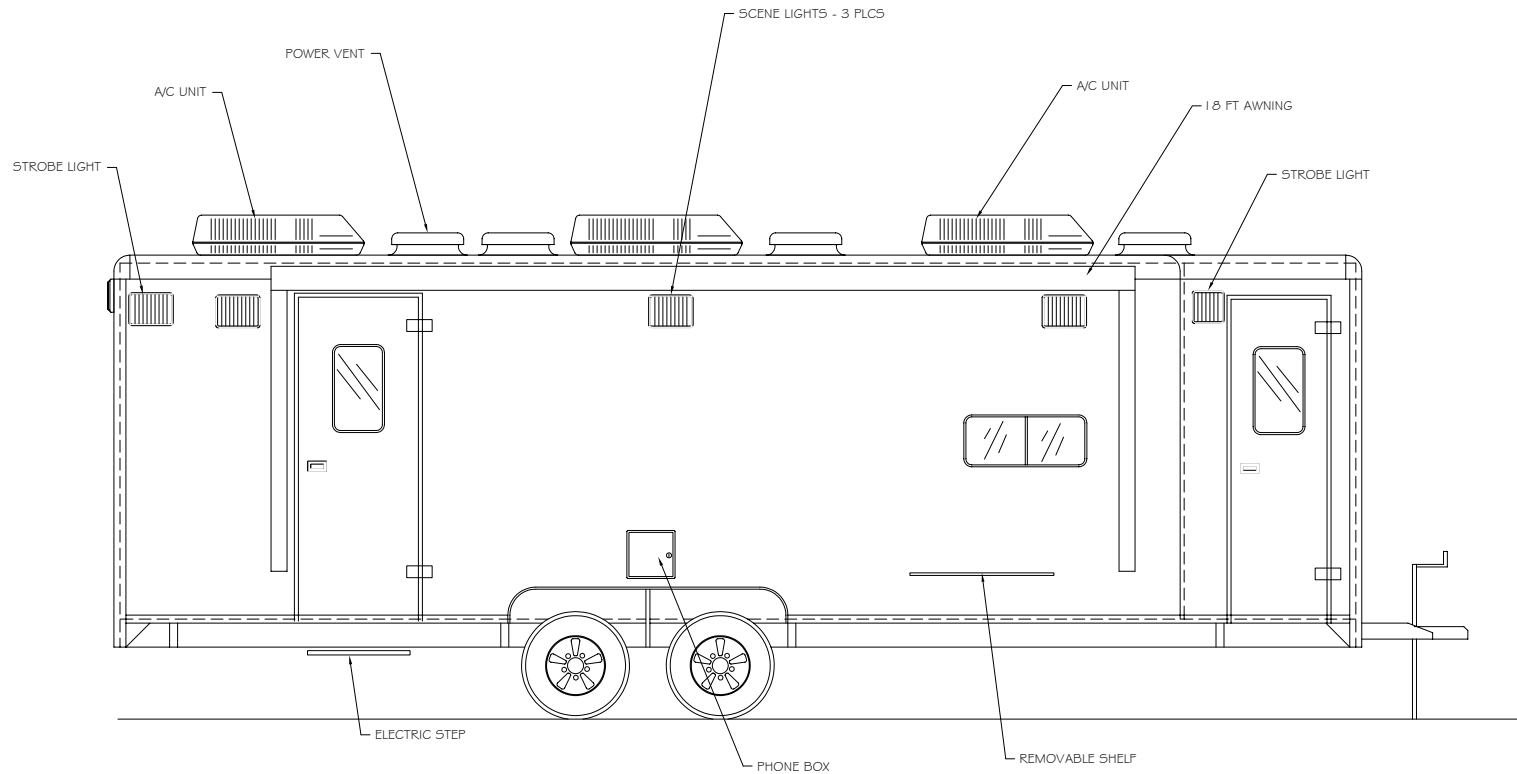
NOTE: DRAWINGS ARE CONCEPTUAL DRAWINGS ONLY AND ARE NOT TO BE USED FOR CONSTRUCTION PURPOSES.

DRAWING TITLE: 22' COMMAND TRAILER		DATE: 5/17/05
CLIENT:		DRAWN BY:
Specialty Vehicle Solutions, LLC 47 Virginia Avenue Trenton, NJ 08611		SCALE: 1/4"=1'-0"
DRAWING NO. 304-023		SHEET: 3 OF 7
REV: A		



NOTE: DRAWINGS ARE CONCEPTUAL DRAWINGS ONLY AND ARE NOT TO BE USED FOR CONSTRUCTION PURPOSES.

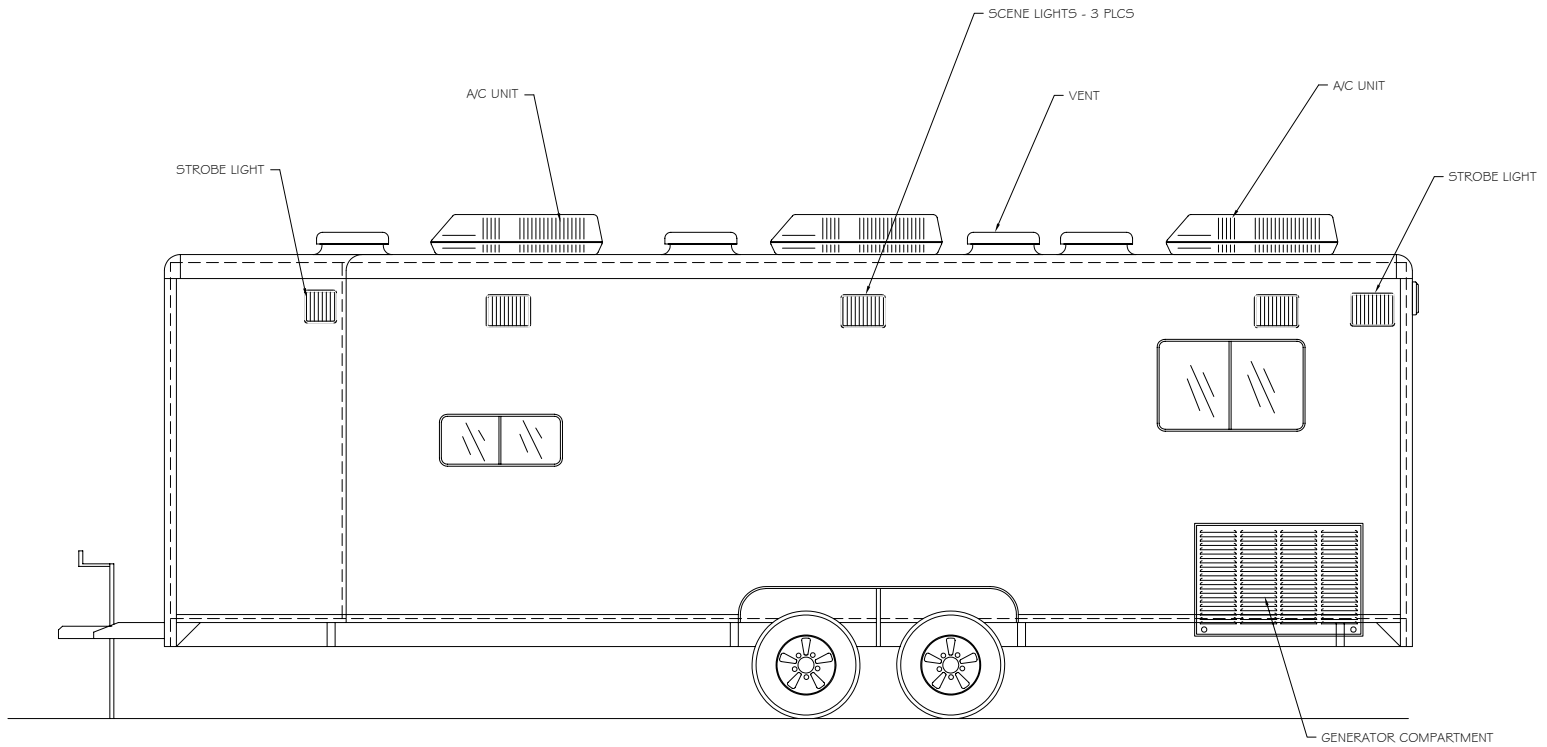
DRAWING TITLE: 22' COMMAND TRAILER		DATE: 5/17/05
CLIENT:		DRAWN BY:
SCALE: 1/4"=1'-0"		SHEET: 4 OF 7
Specialty Vehicle Solutions, LLC 47 Virginia Avenue Trenton, NJ 08611		DRAWING NO. 304-023 REV: A



EXTERIOR RIGHT SIDE ELEVATION

NOT TO BE USED FOR CONSTRUCTION PURPOSES.

DRAWING TITLE: 22' COMMAND TRAILER		DATE: 5/17/05
CLIENT:		DRAWN BY:
Specialty Vehicle Solutions, LLC 47 Virginia Avenue Trenton, NJ 08611		SCALE: 1/4"=1'-0"
DRAWING NO. 304-023		SHEET: 5 OF 7
REV:		A

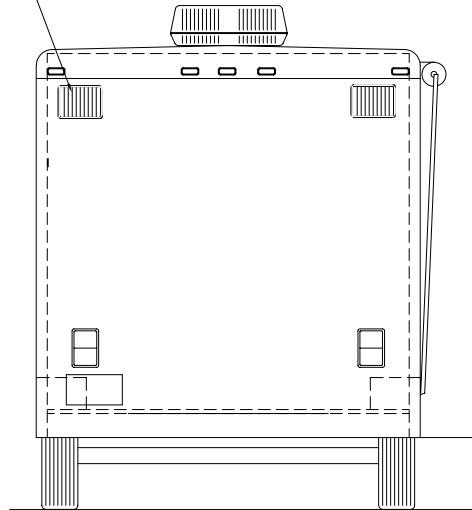


EXTERIOR LEFT SIDE ELEVATION

NOTE: DRAWINGS ARE CONCEPTUAL DRAWINGS ONLY AND ARE NOT TO BE USED FOR CONSTRUCTION PURPOSES.

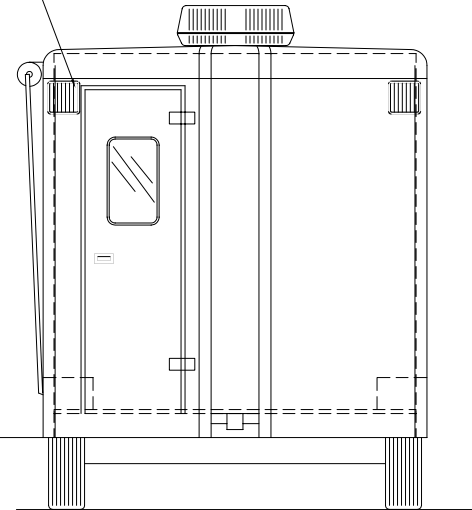
DRAWING TITLE: 22' COMMAND TRAILER		DATE: 5/17/05
CLIENT:		DRAWN BY:
Specialty Vehicle Solutions, LLC 47 Virginia Avenue Trenton, NJ 08611		SCALE: 1/4"=1'-0"
DRAWING NO. 304-023		SHEET: 6 OF 7
REV: A		

STROBE LIGHTS - 2 PLCS



EXTERIOR REAR ELEVATION

STROBE LIGHTS - 2 PLCS



EXTERIOR FRONT ELEVATION

NOTE: DRAWINGS ARE CONCEPTUAL DRAWINGS ONLY AND ARE NOT TO BE USED FOR CONSTRUCTION PURPOSES.

DRAWING TITLE: 22' COMMAND TRAILER		DATE: 5/17/05
CLIENT:		DRAWN BY:
Specialty Vehicle Solutions, LLC 47 Virginia Avenue Trenton, NJ 08611		SCALE: 1/4"=1'-0"
DRAWING NO. 304-023		SHEET: 7 OF 7
REV: A		