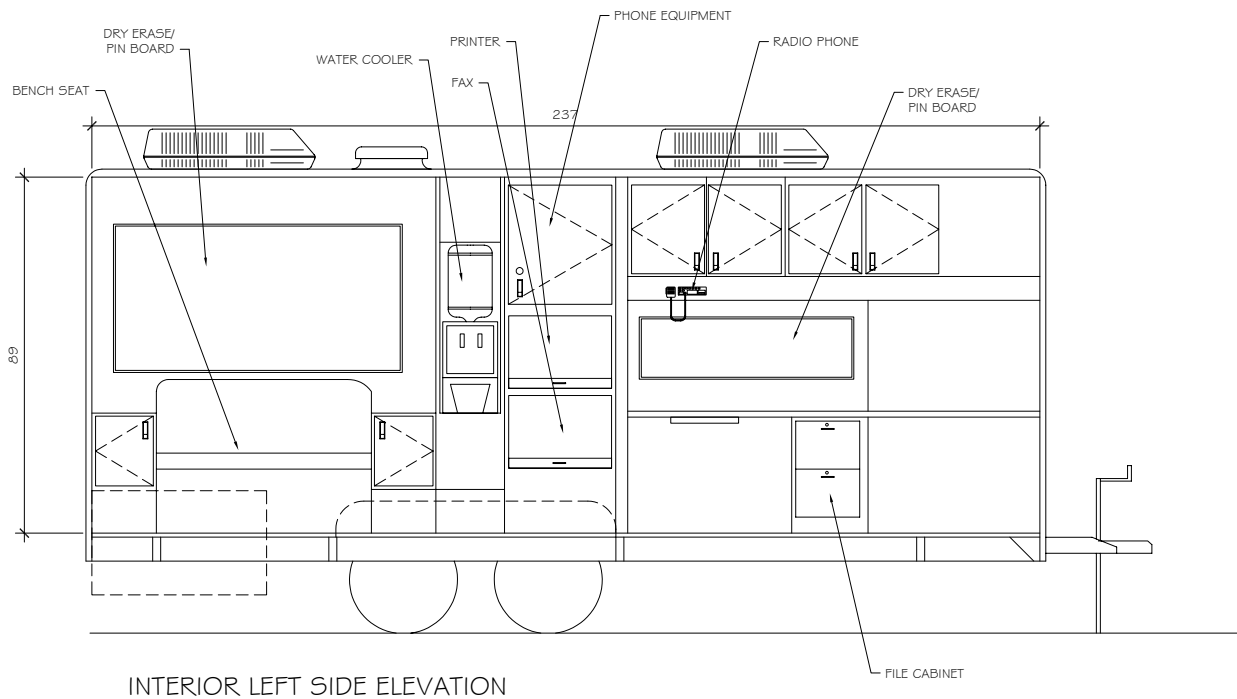


FLOOR PLAN

NOTE: DRAWINGS ARE CONCEPTUAL DRAWINGS ONLY AND ARE NOT TO BE USED FOR CONSTRUCTION PURPOSES.

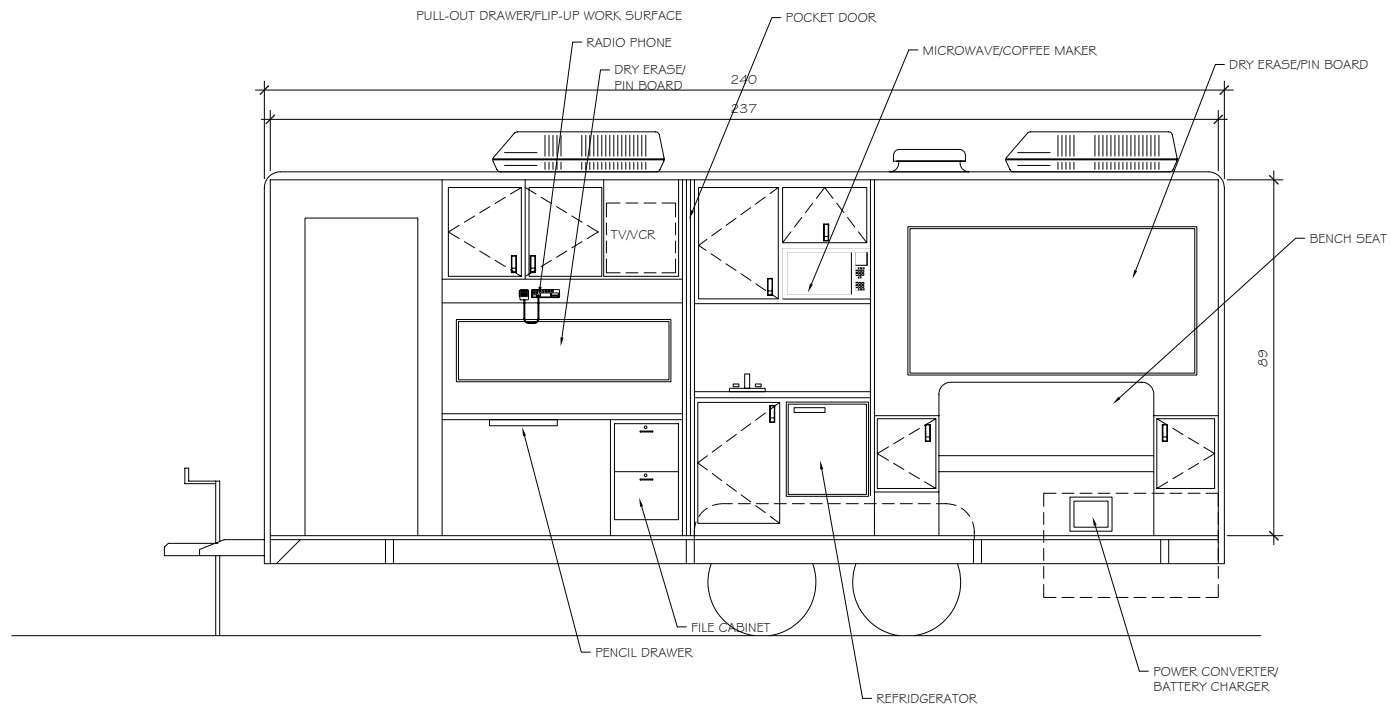
DRAWING TITLE: 16' COMMAND TRAILER		DATE: 5/3/05
CLIENT:		DRAWN BY:
Specialty Vehicle Solutions, LLC 47 Virginia Avenue Trenton, NJ 08611		SCALE: 1/4"=1'-0"
DRAWING NO. 304-017		SHEET: 1 OF 7
REV:		A



INTERIOR LEFT SIDE ELEVATION

NOTE: DRAWINGS ARE CONCEPTUAL DRAWINGS ONLY AND ARE NOT TO BE USED FOR CONSTRUCTION PURPOSES.

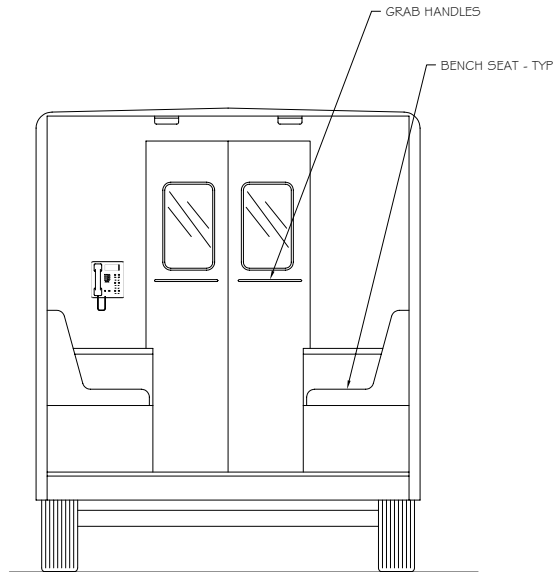
DRAWING TITLE: 16' COMMAND TRAILER		DATE: 5/3/05
CLIENT:		DRAWN BY:
Specialty Vehicle Solutions, LLC 47 Virginia Avenue Trenton, NJ 08611		SCALE: 1/4"=1'-0"
DRAWING NO. 304-017		SHEET: 2 OF 7
REV:		A



INTERIOR RIGHT SIDE ELEVATION

NOTE: DRAWINGS ARE CONCEPTUAL DRAWINGS ONLY AND ARE NOT TO BE USED FOR CONSTRUCTION PURPOSES.

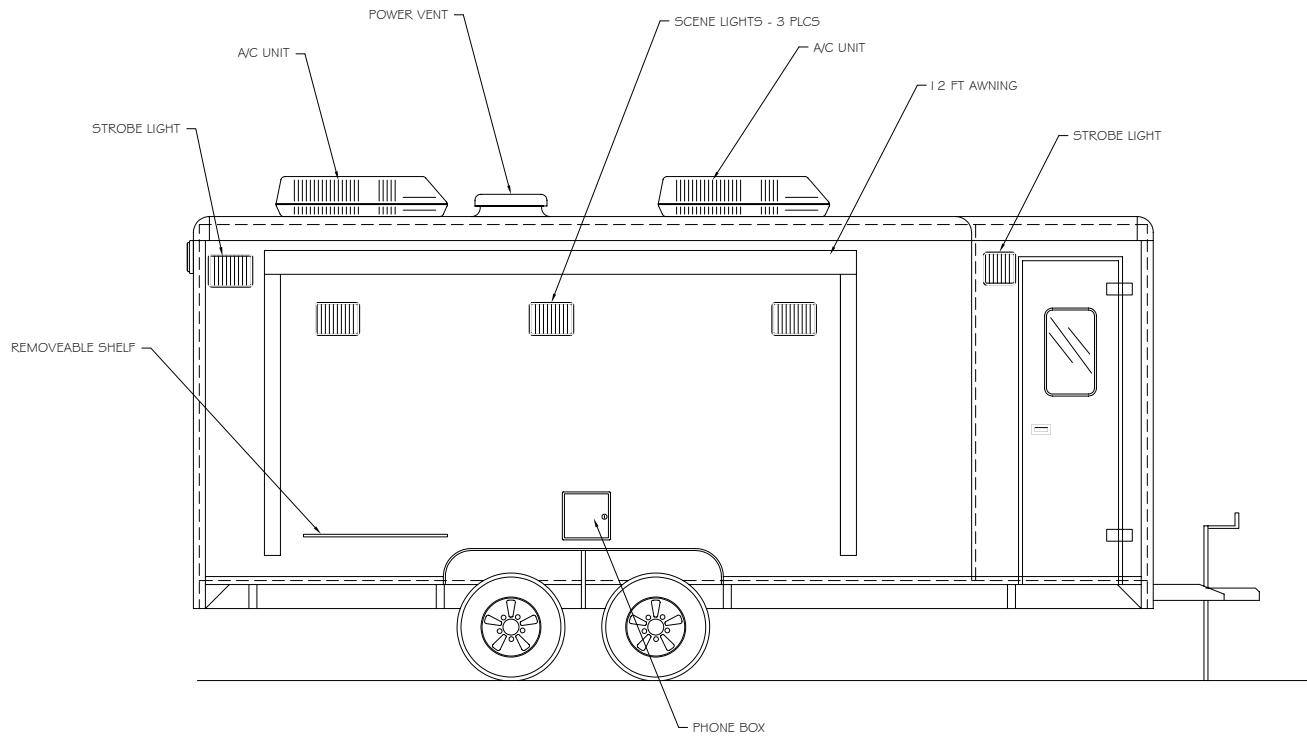
DRAWING TITLE: 16' COMMAND TRAILER		DATE: 5/3/05
CLIENT:		DRAWN BY:
Specialty Vehicle Solutions, LLC 47 Virginia Avenue Trenton, NJ 08611		SCALE: 1/4"=1'-0"
DRAWING NO. 405-017		SHEET: 3 OF 7
REV:		A



INTERIOR REAR ELEVATION

NOTE: DRAWINGS ARE CONCEPTUAL DRAWINGS ONLY AND ARE NOT TO BE USED FOR CONSTRUCTION PURPOSES.

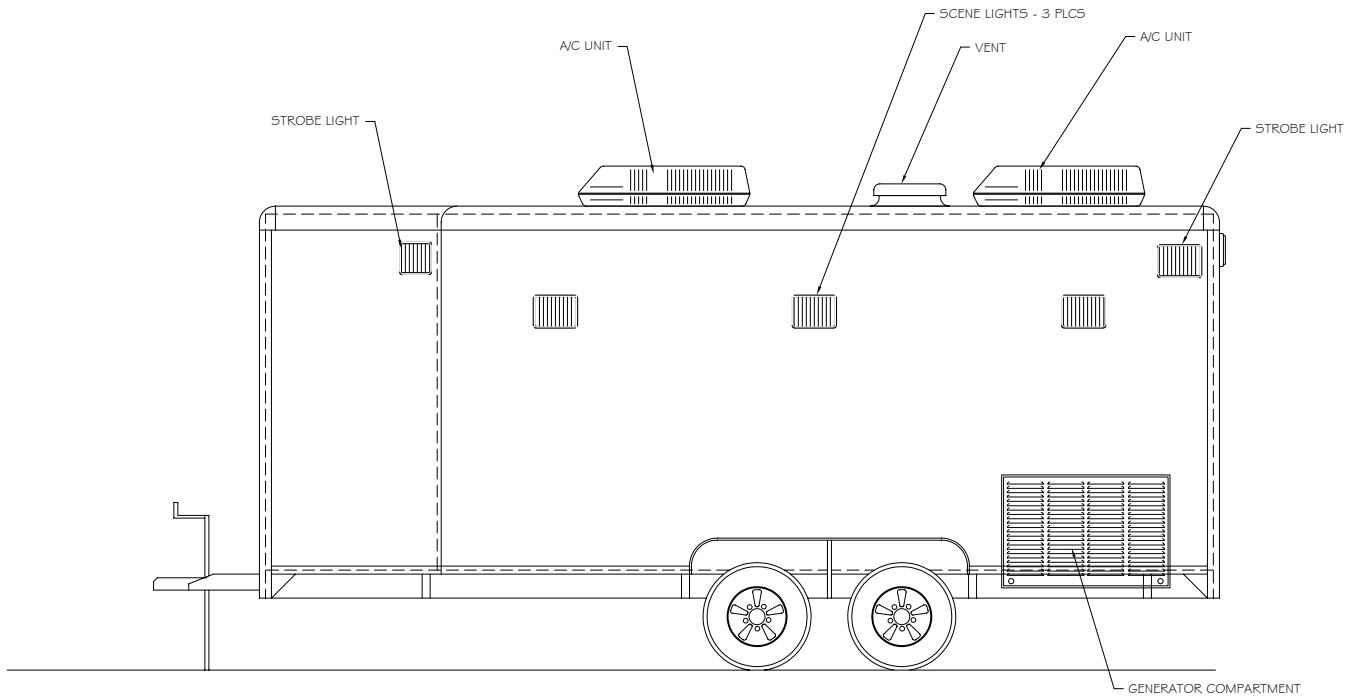
DRAWING TITLE:		DATE:	
16' COMMAND TRAILER		5/3/05	
CLIENT:		DRAWN BY:	
		SCALE: 1/4"=1'-0"	
		SHEET: 4 OF 7	
Specialty Vehicle Solutions, LLC 47 Virginia Avenue Trenton, NJ 08611		DRAWING NO:	REV:
		304-017	A



EXTERIOR RIGHT SIDE ELEVATION

NOT TO BE USED FOR CONSTRUCTION PURPOSES.

DRAWING TITLE: 16' COMMAND TRAILER		DATE: 5/3/05
CLIENT:		DRAWN BY:
Specialty Vehicle Solutions, LLC 47 Virginia Avenue Trenton, NJ 08611		SCALE: 1/4"=1'-0"
DRAWING NO. 304-017		SHEET: 5 OF 7
REV: A		

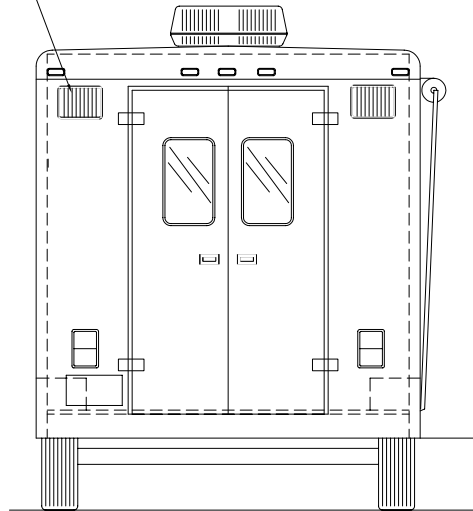


EXTERIOR LEFT SIDE ELEVATION

NOTE: DRAWINGS ARE CONCEPTUAL DRAWINGS ONLY AND ARE NOT TO BE USED FOR CONSTRUCTION PURPOSES.

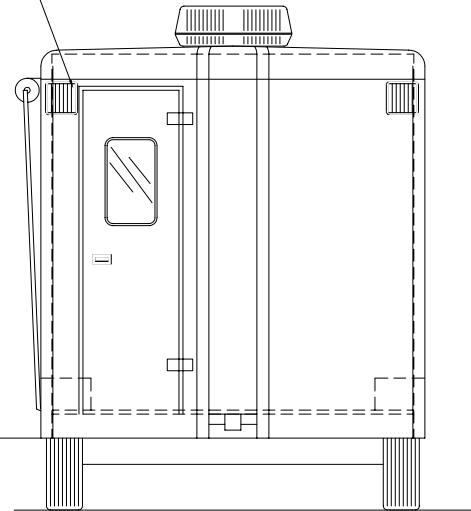
DRAWING TITLE: 16' COMMAND TRAILER		DATE: 5/3/05
CLIENT:		DRAWN BY:
Specialty Vehicle Solutions, LLC 47 Virginia Avenue Trenton, NJ 08611		SCALE: 1/4"=1'-0"
DRAWING NO. 304-017		SHEET: 6 OF 7
REV:		A

STROBE LIGHTS - 2 PLCS



EXTERIOR REAR ELEVATION

STROBE LIGHTS - 2 PLCS



EXTERIOR FRONT ELEVATION

NOTE: DRAWINGS ARE CONCEPTUAL DRAWINGS ONLY AND ARE NOT TO BE USED FOR CONSTRUCTION PURPOSES.

DRAWING TITLE: 16' COMMAND TRAILER		DATE: 5/3/05
CLIENT:		DRAWN BY:
Specialty Vehicle Solutions, LLC 47 Virginia Avenue Trenton, NJ 08611		SCALE: 1/4"=1'-0"
DRAWING NO. 304-017		SHEET: 7 OF 7
REV:		A