

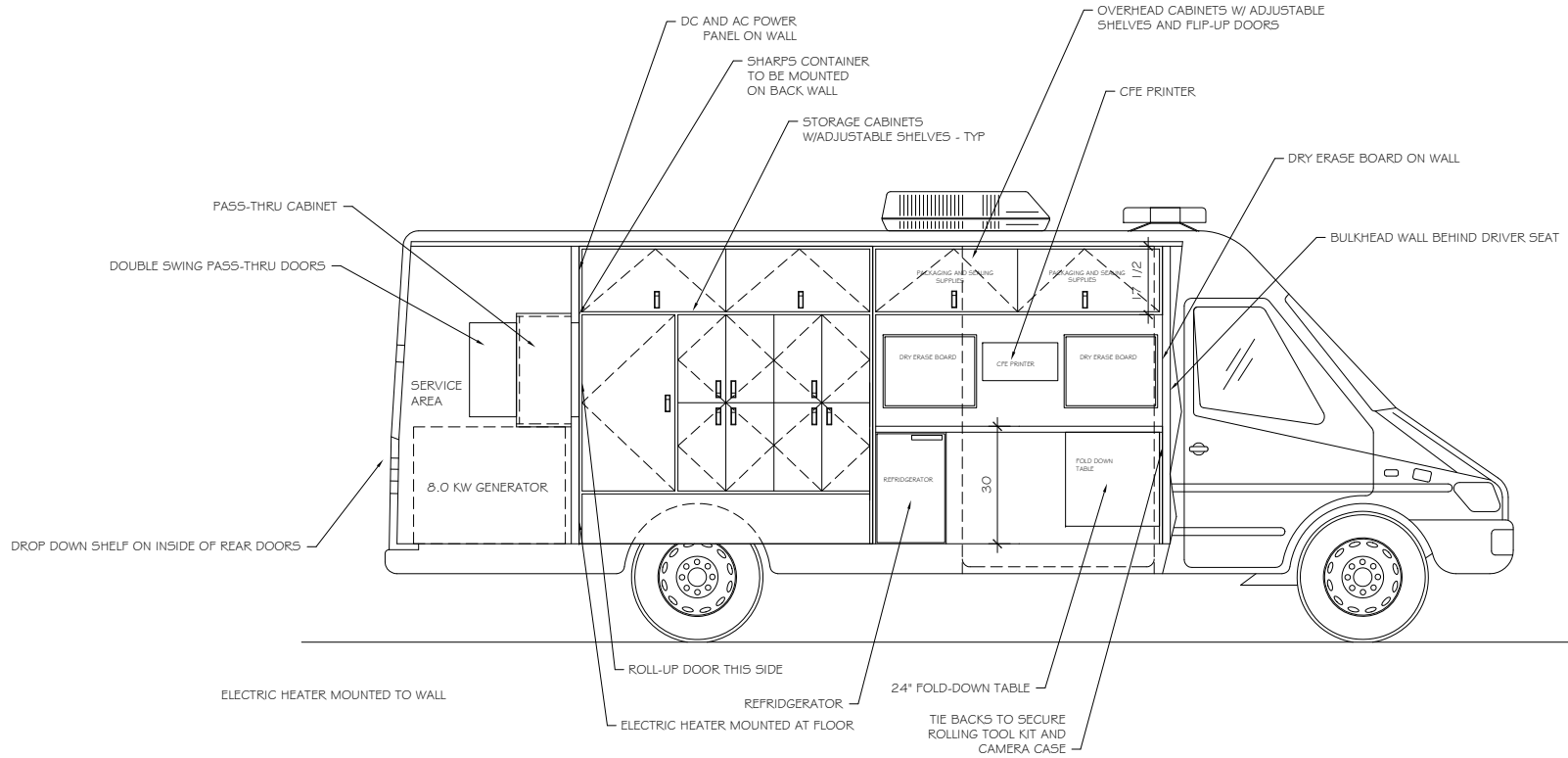
FLOOR PLAN

DRAWINGS ARE CONCEPTUAL DRAWINGS ONLY AND ARE NOT TO BE USED FOR CONSTRUCTION PURPOSES.

DRAWING TITLE:		DATE:	7/30/08
Sprinter Crime Scene Vehicle		DRAWN BY:	BPM
CLIENT:		SCALE:	1/4"=1'-0"
		SHEET:	1 OF 5
Specialty Vehicle Solutions, LLC 47 Virginia Avenue Trenton, NJ 08611		DRAWING NO.:	304-249
		REV:	B

LUMINOLO BLUE STAR LCV KIT	HEMALCENIT OBTH PMS/SPH SMAL KIT	SPK GUE BLEACH ALCOHOL DOOR LOCK	SMALL PARTICLE RESISTANT KITS
----------------------------------	---	---	--

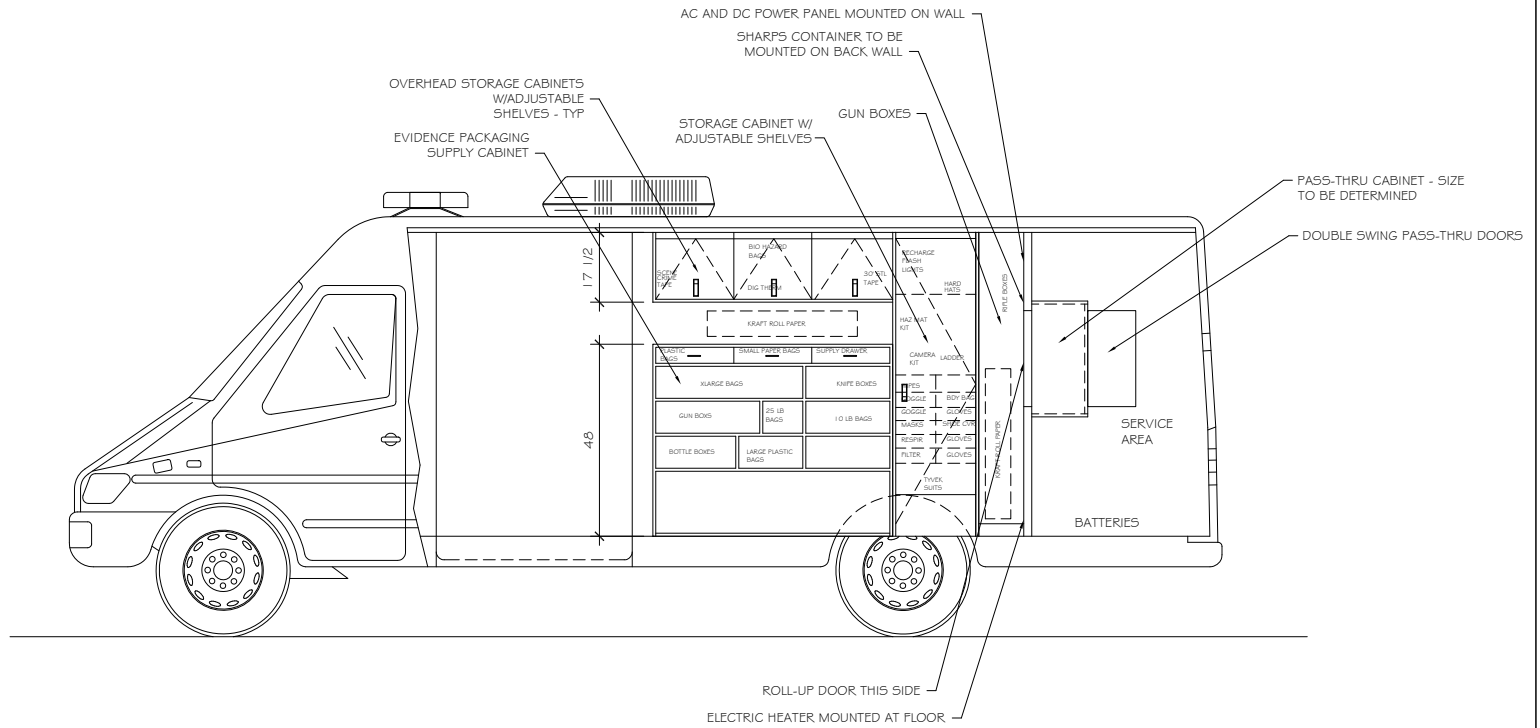
CHEMICAL STORAGE CABINET LOCATION TO BE DETERMINED



STREETSIDE INTERIOR ELEVATION

DRAWINGS ARE CONCEPTUAL DRAWINGS ONLY AND ARE NOT TO BE USED FOR CONSTRUCTION PURPOSES.

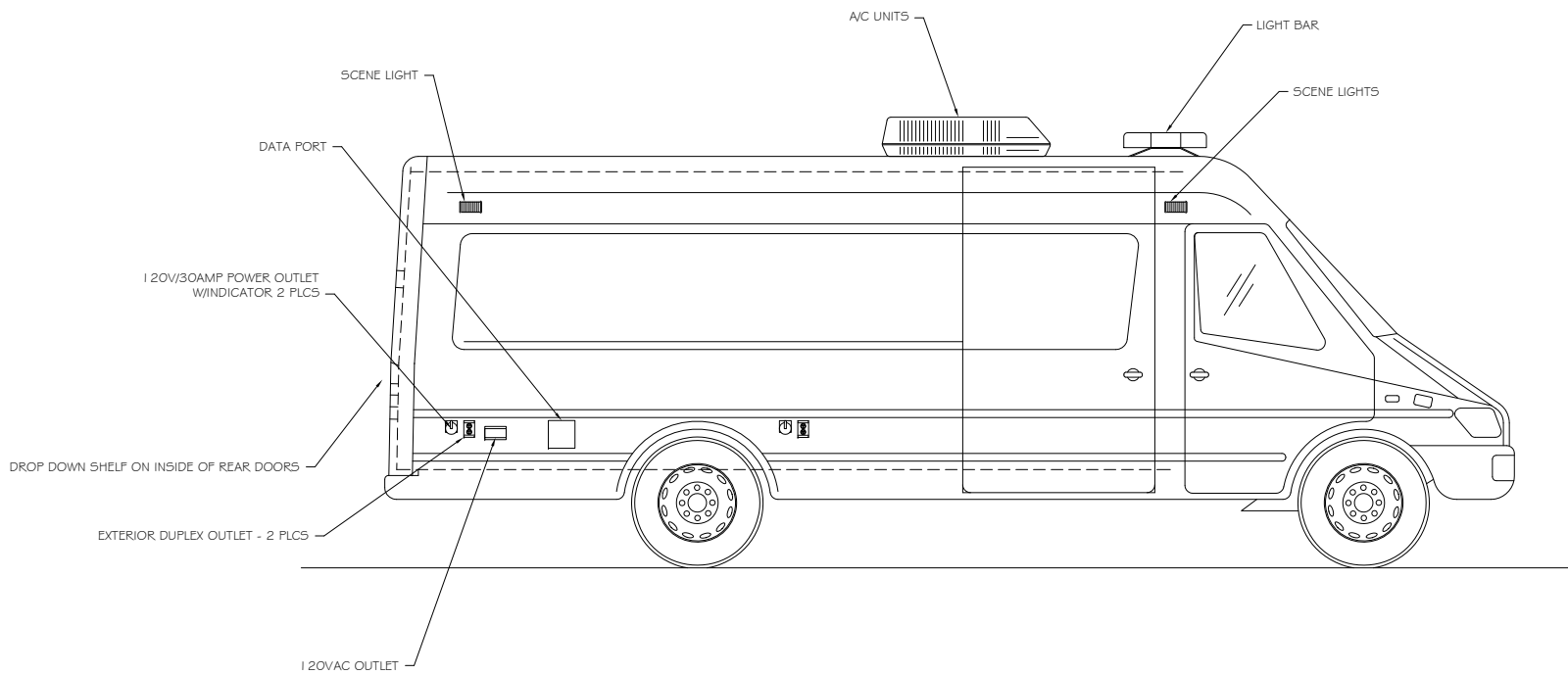
DRAWING TITLE: Sprinter Crime Scene Vehicle		DATE: 7/30/08
CLIENT:		DRAWN BY: BPM
Specialty Vehicle Solutions, LLC 47 Virginia Avenue Trenton, NJ 08611		SCALE: 1/4"=1'-0"
DRAWING NO. 304-249		SHEET: 2 OF 5
REV: B		



CURBSIDE INTERIOR ELEVATION

DRAWINGS ARE CONCEPTUAL DRAWINGS ONLY AND ARE NOT TO BE USED FOR CONSTRUCTION PURPOSES.

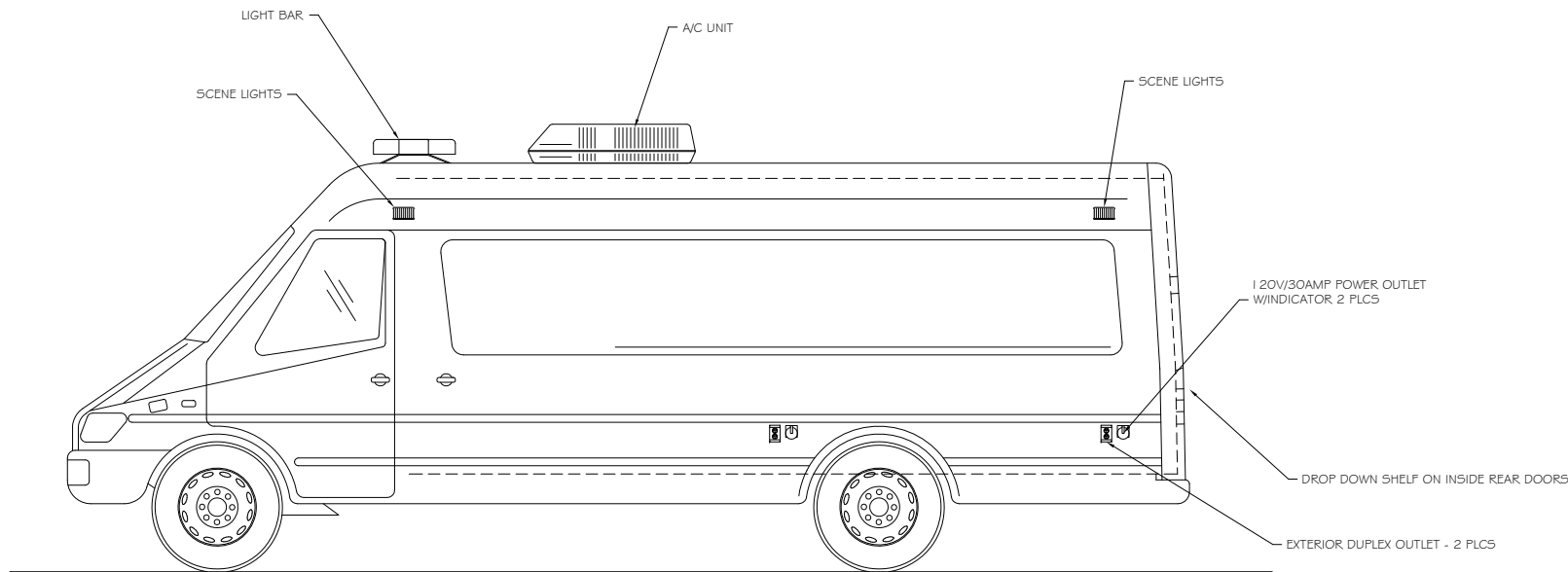
DRAWING TITLE: Sprinter Crime Scene Vehicle		DATE: 7/30/08
CLIENT:		DRAWN BY: BPM
Specialty Vehicle Solutions, LLC 47 Virginia Avenue Trenton, NJ 08611		SCALE: 1/4"=1'-0"
DRAWING NO.:		SHEET: 3 OF 5
REV:		304-249 B



CURBSIDE EXTERIOR ELEVATION

DRAWINGS ARE CONCEPTUAL DRAWINGS ONLY AND ARE NOT TO BE USED FOR CONSTRUCTION PURPOSES.

DRAWING TITLE:		DATE:	7/30/08
Sprinter Crime Scene Vehicle		DRAWN BY:	BPM
CLIENT:		SCALE:	1/4"=1'-0"
		SHEET:	4 OF 5
Specialty Vehicle Solutions, LLC 47 Virginia Avenue Trenton, NJ 08611		DRAWING NO.:	304-249 B
		REV:	



STREETSIDE EXTERIOR ELEVATION

DRAWINGS ARE CONCEPTUAL DRAWINGS ONLY AND ARE NOT TO BE USED FOR CONSTRUCTION PURPOSES.

DRAWING TITLE: Sprinter Crime Scene Vehicle		DATE: 7/30/08
CLIENT:		DRAWN BY: BPM
Specialty Vehicle Solutions, LLC 47 Virginia Avenue Trenton, NJ 08611		SCALE: 1/4"=1'-0"
DRAWING NO. 304-249		SHEET: 5 OF 5
REV:		B